

# **SERVICE & MAINTENANCE**

## **Model** **25RTS** **33RTS** **40RTS**

**3120826**

*March 12, 2004*



---

### **AUSTRALIAN OFFICE**

**JLG INDUSTRIES, INC.**  
**P.O. Box 5119**  
**11 Bolwarra Road**  
**Port Macquarie, Australia**  
**Telephone: 065 811111**  
**Fax: 065 810122**

### **EUROPEAN OFFICE**

**JLG INDUSTRIES (EUROPE)**  
**Kilmartin Place,**  
**Tannochside Park**  
**Uddingston, Scotland, G71 5PH**  
**Telephone: 01698 811005**  
**Main Fax: 01698 811055**  
**Parts Fax: 01698 811455**

### **CORPORATE OFFICE**

**JLG INDUSTRIES, INC.**  
**1 JLG Drive**  
**McConnellsburg, PA.**  
**17233-9533**  
**USA**  
**Telephone: (717) 485-5161**  
**Fax: (717) 485-6417**



## SECTION A. INTRODUCTION - MAINTENANCE SAFETY PRECAUTIONS

---

### A.A GENERAL

This section contains the general safety precautions which must be observed during maintenance of the aerial platform. It is of utmost importance that maintenance personnel pay strict attention to these warnings and precautions to avoid possible injury to themselves or others, or damage to the equipment. A maintenance program must be followed to ensure that the machine is safe to operate.

#### **⚠ WARNING**

**MODIFICATION OF THE MACHINE WITHOUT CERTIFICATION BY A RESPONSIBLE AUTHORITY THAT THE MACHINE IS AT LEAST AS SAFE AS ORIGINALLY MANUFACTURED, IS A SAFETY VIOLATION.**

The specific precautions to be observed during maintenance are inserted at the appropriate point in the manual. These precautions are, for the most part, those that apply when servicing hydraulic and larger machine component parts.

Your safety, and that of others, is the first consideration when engaging in the maintenance of equipment. Always be conscious of weight. Never attempt to move heavy parts without the aid of a mechanical device. Do not allow heavy objects to rest in an unstable position. When raising a portion of the equipment, ensure that adequate support is provided.

#### **⚠ WARNING**

**SINCE THE MACHINE MANUFACTURER HAS NO DIRECT CONTROL OVER THE FIELD INSPECTION AND MAINTENANCE, SAFETY IN THIS AREA RESPONSIBILITY OF THE OWNER/OPERATOR.**

---

### A.B HYDRAULIC SYSTEM SAFETY

It should be noted that the machines hydraulic systems operate at extremely high potentially dangerous pressures. Every effort should be made to relieve any system pressure prior to disconnecting or removing any portion of the system.

Relieve system pressure by cycling the applicable control several times with the engine stopped and ignition on, to direct any line pressure back into the reservoir. Pressure feed lines to system components can then be disconnected with minimal fluid loss.

---

### A.C MAINTENANCE

#### **⚠ WARNING**

**FAILURE TO COMPLY WITH SAFETY PRECAUTIONS LISTED IN THIS SECTION MAY RESULT IN MACHINE DAMAGE, PERSONNEL INJURY OR DEATH AND IS A SAFETY VIOLATION.**

- NO SMOKING IS MANDATORY. NEVER REFUEL DURING ELECTRICAL STORMS. ENSURE THAT FUEL CAP IS CLOSED AND SECURE AT ALL OTHER TIMES.
- REMOVE ALL RINGS, WATCHES AND JEWELRY WHEN PERFORMING ANY MAINTENANCE.
- DO NOT WEAR LONG HAIR UNRESTRAINED, OR LOOSE-FITTING CLOTHING AND NECKTIES WHICH ARE APT TO BECOME CAUGHT ON OR ENTANGLED IN EQUIPMENT.
- OBSERVE AND OBEY ALL WARNINGS AND CAUTIONS ON MACHINE AND IN SERVICE MANUAL.
- KEEP OIL, GREASE, WATER, ETC. WIPED FROM STANDING SURFACES AND HAND HOLDS.
- USE CAUTION WHEN CHECKING A HOT, PRESSURIZED COOLANT SYSTEM.
- NEVER WORK UNDER AN ELEVATED BOOM UNTIL BOOM HAS BEEN SAFELY RESTRAINED FROM ANY MOVEMENT BY BLOCKING OR OVERHEAD SLING, OR BOOM SAFETY PROP HAS BEEN ENGAGED.
- BEFORE MAKING ADJUSTMENTS, LUBRICATING OR PERFORMING ANY OTHER MAINTENANCE, SHUT OFF ALL POWER CONTROLS.
- BATTERY SHOULD ALWAYS BE DISCONNECTED DURING REPLACEMENT OF ELECTRICAL COMPONENTS.
- KEEP ALL SUPPORT EQUIPMENT AND ATTACHMENTS STOWED IN THEIR PROPER PLACE.
- USE ONLY APPROVED, NONFLAMMABLE CLEANING SOLVENTS.

## **REVISION LOG**

Original Issue - June 1993

Revised - August 24, 1999

Revised - September 30, 1999

Revised - February 29, 2000

Revised - March 14, 2001

Revised - September 18, 2001

Revised - April 15, 2002

Revised - September 25, 2002

Revised - March 12, 2004

**TABLE OF CONTENTS**

<b>SUBJECT - SECTION, PARAGRAPH</b>	<b>PAGE NO.</b>
<b>SECTION A - INTRODUCTION - MAINTENANCE SAFETY PRECAUTIONS</b>	
A.A General . . . . .	a
A.B Hydraulic System Safety . . . . .	a
A.C Maintenance . . . . .	a
<b>SECTION 1 - SPECIFICATIONS</b>	
1.1 Capacities . . . . .	1-1
1.2 Component Data . . . . .	1-1
1.3 Performance Data . . . . .	1-2
1.4 Lubrication . . . . .	1-2
1.5 Pressure Settings . . . . .	1-6
1.6 Serial Number Locations . . . . .	1-7
1.7 Limit Switches . . . . .	1-7
1.8 Cylinder Specifications . . . . .	1-7
1.9 Major Component Weights . . . . .	1-8
1.10 Critical Stability Weights . . . . .	1-8
<b>SECTION 2 - PROCEDURES</b>	
2.1 General . . . . .	2-1
2.2 Servicing and Maintenance Guidelines . . . . .	2-1
2.3 Lubrication Information . . . . .	2-2
2.4 Cylinders - Theory of Operation . . . . .	2-3
2.5 Valves - Theory of Operation . . . . .	2-3
2.6 Component Functional Description . . . . .	2-4
2.7 Sliding Wear Pads . . . . .	2-4
2.8 Pump and Coupling Lubrication . . . . .	2-4
2.9 Cylinder Checking Procedures . . . . .	2-4
2.10 Cylinder Removal and Installation . . . . .	2-5
2.11 Cylinder Repair . . . . .	2-6
2.12 Tilt Alarm Switch . . . . .	2-12
2.13 Limit Switch Adjustment Procedure . . . . .	2-13
2.14 Drive Pump Start-up Procedure . . . . .	2-13
2.15 Throttle Checks and Adjustments - Ford . . . . .	2-14
2.16 Throttle Checks and Adjustments - Deutz . . . . .	2-17
2.17 Automatic Choke Adjustment - Ford Engine . . . . .	2-17
2.18 Hydraulic Component Start-Up Procedures and Recommendations . . . . .	2-18
2.19 Pressure Setting Procedures - (2 W/S) . . . . .	2-19
2.20 Pressure Setting Procedures - (4 W/S) . . . . .	2-21
2.21 Oscillating Axle Lockout Cylinder Bleeding Procedure . . . . .	2-21
2.22 Lockout Cylinder Check . . . . .	2-23
2.23 Piston Drive Motor . . . . .	2-23
2.24 Drive Torque Hub - 2WD/4WD Rear . . . . .	2-27
2.25 Drive Torque Hub/Brake - 4WD Front . . . . .	2-35
2.26 Drive Brake - 2WD/2WS Rear . . . . .	2-41
2.27 Spark Arrestor Muffler . . . . .	2-44
2.28 Dual Fuel/LPG System . . . . .	2-44
2.29 Freewheeling Feature . . . . .	2-45
2.30 Preventive Maintenance and Inspection Schedule . . . . .	2-46
<b>SECTION 3 - TROUBLESHOOTING</b>	
3.1 General . . . . .	3-1
3.2 Troubleshooting Information . . . . .	3-1
3.3 Hydraulic Circuit Checks . . . . .	3-1

**LIST OF FIGURES**

<b>FIGURE NO.</b>	<b>TITLE</b>	<b>PAGE NO.</b>
1-1.	Torque Chart . . . . .	1-3
1-2.	Lubrication Diagram . . . . .	1-4
1-3.	Serial Number Location . . . . .	1-7
2-1.	Pump and Coupling Lubrication . . . . .	2-4
2-2.	Top Lift Cylinder Pin Location . . . . .	2-5
2-3.	Bottom Lift Cylinder Pin Location . . . . .	2-6
2-4.	Cylinder Barrel Support . . . . .	2-6
2-5.	Arms and Platform Positioning and Support, Cylinder Repair . . . . .	2-7
2-6.	Holding Valve and Fitting Removal . . . . .	2-8
2-7.	Cylinder Rod Support . . . . .	2-8
2-8.	Steer Cylinder Snap Ring Removal . . . . .	2-8
2-9.	Rod Seal Installation . . . . .	2-9
2-10.	Wlper Seal Installation . . . . .	2-9
2-11.	Poly-Pak Seal Installation . . . . .	2-10
2-12.	Wear Seal Installation . . . . .	2-10
2-13.	Piston O-Ring Installation . . . . .	2-10
2-14.	Lift Cylinder . . . . .	2-11
2-15.	Tilt Alarm Switch - Manual Adjustment . . . . .	2-12
2-16.	Tilt Alarm Switch - Voltmeter Adjustment . . . . .	2-13
2-17.	Limit Switch Cut-Out . . . . .	2-13
2-18.	Throttle Checks and Adjustments - Ford . . . . .	2-15
2-19.	Precision Governor Adjustments (1600269 Controller) . . . . .	2-15
2-20.	Precision Governor Adjustments (1600325 Controller) . . . . .	2-16
2-21.	Pressure Adjustment Locations (2 W/S) . . . . .	2-20
2-22.	Oscillating Axle Cam Valve . . . . .	2-21
2-23.	Drive Hub Disconnect . . . . .	2-21
2-24.	Pressure Adjustment Locations (4 W/S) . . . . .	2-22
2-25.	Drive Hub Connect . . . . .	2-23
2-26.	Piston Drive Motor . . . . .	2-26
2-27.	Drive Torque Hub - 2WD/4WD Rear . . . . .	2-36
2-28.	Drive Torque Hub/Brake - 4WD Front . . . . .	2-40
2-29.	Drive Brake - 2WD/2WS . . . . .	2-43
2-30.	Drive Hub Disengaged . . . . .	2-45
2-31.	Drive Hub Engaged . . . . .	2-45
3-1.	Hydraulic Schematic - Sheet 1 of 3 . . . . .	3-11
3-2.	Hydraulic Schematic - Sheet 2 of 3 . . . . .	3-12
3-3.	Hydraulic Schematic - Sheet 3 of 3 . . . . .	3-13
3-4.	Electrical Schematic (Ford) - Sheet 1 of 2 . . . . .	3-14
3-5.	Electrical Schematic (Ford) - Sheet 2 of 2 . . . . .	3-15
3-6.	Electrical Schematic (Deutz) - Sheet 1 of 2 . . . . .	3-16
3-7.	Electrical Schematic (Deutz) - Sheet 2 of 2 . . . . .	3-17

**LIST OF TABLES**

<b>TABLE NO.</b>	<b>TITLE</b>	<b>PAGE NO.</b>
1-1	Hydraulic Oil . . . . .	1-2
1-2	Lubrication Chart . . . . .	1-5
1-3	Lubrication Specifications . . . . .	1-6
1-4	Cylinder Specifications . . . . .	1-7
1-5	Major Component Weights . . . . .	1-8
1-6	Critical Stability Weights . . . . .	1-8
2-1	Cylinder Piston Nut Torque Specifications . . . . .	2-10
2-2	Holding Valve Torque Specifications . . . . .	2-10
2-3	Preventive Maintenance and Safety Inspection . . . . .	2-47
3-1	Platform Assembly - Troubleshooting . . . . .	3-2
3-2	Chassis Troubleshooting . . . . .	3-4
3-3	Chassis Troubleshooting . . . . .	3-7
3-4	Hydraulic System Troubleshooting . . . . .	3-8
3-5	Electrical System Troubleshooting . . . . .	3-9

**This page intentionally left blank.**

## SECTION 1. SPECIFICATIONS

### 1.1 CAPACITIES

#### Hydraulic Oil Tank

Approximately 64.4 liters (17 U.S. gallons) w/15% air space

#### Hydraulic System (Including Tank)

Approximately 75.7 liters (20 U.S. gallons)

#### Fuel Tank

Approximately 56.8 liters (15 U.S. gallons)

#### Engine Crankcase

##### Gasoline Engine

3.2 liters (3.4 quarts) w/filter

2.7 liters (2.9 quarts) w/o filter

##### Diesel Engine

6.5 liters (6.9 quarts) w/filter

6.0 liters (6.3 quarts) w/o filter

##### Coolant Capacity (Gasoline Engine)

13.2 liters (3.5 U.S. gallons)

### 1.2 COMPONENT DATA

#### Gasoline Engine

Manufacturer - Ford

Displacement - 1.3 liter

Low RPM - 2200

High RPM - 3000

Alternator - 55 Amp external

Battery - 85 Amphour, 550 Cold Cranking Amps

##### Fuel Consumption

Low RPM - 6.7 lph (1.8 gph)

High RPM - 11.4 lph (3.0 gph)

Horsepower - 40 @ 3000 RPM

#### Diesel Engine

Manufacturer - Deutz

Low RPM - 2000

High RPM - 3000

Battery - 85 Amphour, 550 Cold Cranking Amps

##### Fuel Consumption

Low RPM - 4.9 lph (1.3 gph)

High RPM - 6.0 lph (1.6 gph)

Horsepower - 27 @ 2800 RPM

#### Drive/Steer System

Toe-In - Adjust to 6.4 mm (1/4 in.) overall

Drive Motor - 6.3 cm<sup>[3]</sup> (2.48 in.<sup>[3]</sup>) displacement

Drive Hub (2WD Rear) - Hub ratio 35:1

Drive Hub (4WD Rear) - Hub ratio 24:1

Drive Hub/Brake (4WD Front) - Hub ratio 24:1; brake - spring applied, hydraulic release, release pressure - 11 bar (160 psi) initial, 13 bar (190 psi) full.

Drive Brake (2WD/4WD Rear) - Spring applied, hydraulic release, release pressure - 10 bar (150 psi) initial, 12 bar (170 psi) full.

Hydraulic Filter - Inline

Return - Bypass Type

25 Microns Nominal

##### Tires

Standard - 31 - 15.5 x 15 NHS, 8 ply, pneumatic, inflate to 4 bar (60 psi).

Optional - 12 - 16.5 NHS, 6 ply, foam filled

Optional - 12 - 16.5 NHS, 6 ply, pneumatic, inflate to 4 bar (60 psi).

**NOTE:** All wheel lugs must be torqued at 90 ft lbs. every 50 hours.

## SECTION 1 - SPECIFICATIONS

### 1.3 PERFORMANCE DATA

#### Travel Speed

Gasoline 2 W/D - 8-10 seconds per 15 m (50 ft.)

Gasoline 4 W/D - 12-14 seconds per 15 m (50 ft.)

Diesel 2 W/D - 9-11 seconds per 15 m (50 ft.)

Diesel 4 W/D - 14-16 seconds per 15 m (50 ft.)

#### Gradeability

2 Wheel Drive - 25% (14°)

4 Wheel Drive - 45% (24°)

#### Turning Radius (Outside)

2 Wheel Steer - 5.51 m (18 ft.1 in.)

4 Wheel Steer - 3.43 m (11 ft. 3 in.)

#### Lift Speed

Lift up - 25RTS - 50-55 seconds

33RTS - 53-58 seconds

40RTS - 58-63 seconds

Lift down - All models - 30-40 seconds

#### Platform Capacity - Fixed Platform

25RTS - 910 kg (2,000 lb.)

33RTS - 680 kg (1,500 lb.)

40RTS - 455 kg (1,000 lb.)

#### Platform Capacity - Mechanical Platform Extension with Deck Extended

25RTS - Main Deck - 570 kg (1,250 lb)

Extension - 230 kg (500 lb)

33RTS - Main Deck - 340 kg (750 lb)

Extension - 230 kg (500 lb)

40RTS - Main Deck - 115 kg (250 lb)

Extension - 230 kg (500 lb)

#### Platform Capacity - Mechanical Platform Extension with Deck Retracted

25RTS - 795 kg (1,750 lb)

33RTS - 570 kg (1,250 lb)

40RTS - 340 kg (750 lb)

#### Machine Weight

25RTS - Approx. 3,445 kg (7,600 lb.)

33RTS - Approx. 3,720 kg (8,200 lb.)

40RTS - Approx. 4,175 kg (9,200 lb.)

#### Machine Height (Platform Lowered)

25RTS - 2.6 m (103.5 in.)

33RTS - 2.8 m (111.5 in.)

40RTS - 3.0 m (119.5 in.)

#### Machine Length

3.78 m (12 ft. 5 in.)

#### Machine Width

All Models - Standard Tires - 2.29 m (7 ft. 6 in.)

All Models - Optional Tires - 2.31 m (7 ft. 7 in.)

### 1.4 LUBRICATION

Table 1-1. Hydraulic Oil

HYDRAULIC SYSTEM OPERATING TEMPERATURE RANGE	SAE VISCOSITY GRADE
0 to +23 degrees F (-18 to -5 degrees C)	10W
0 to +210 degrees F (-18 to +100 degrees C)	10W-20,10W-30
+50 to +210 degrees F (+10 to +100 degrees C)	20W-20

**NOTE:** Hydraulic oils must have anti-wear qualities at least to API Service Classification GL-3, and sufficient chemical stability for mobile hydraulic system service. JLG Industries recommends Mobilfluid 424 hydraulic oil, which has an SAE viscosity index of 152.

**NOTE:** When temperatures remain consistently below -7° C ( 20° F ), JLG Industries recommends the use of Mobil DTE11.

Some machines may be specially equipped with Mobil EAL224H biodegradable and non-toxic hydraulic oil. This oil is vegetable oil based and possesses the same anti-wear and rust protection characteristics as mineral oils, but will not adversely affect ground water or the environment when spilled or leaked in small amounts. Mobil EAL224H has a viscosity of 34 cST at 40° C and a viscosity index of 213. The operating range of this oil is -18° C to +83° C



*Note: 13 and 14 on  
the opposite side in the  
valve tray compartment*

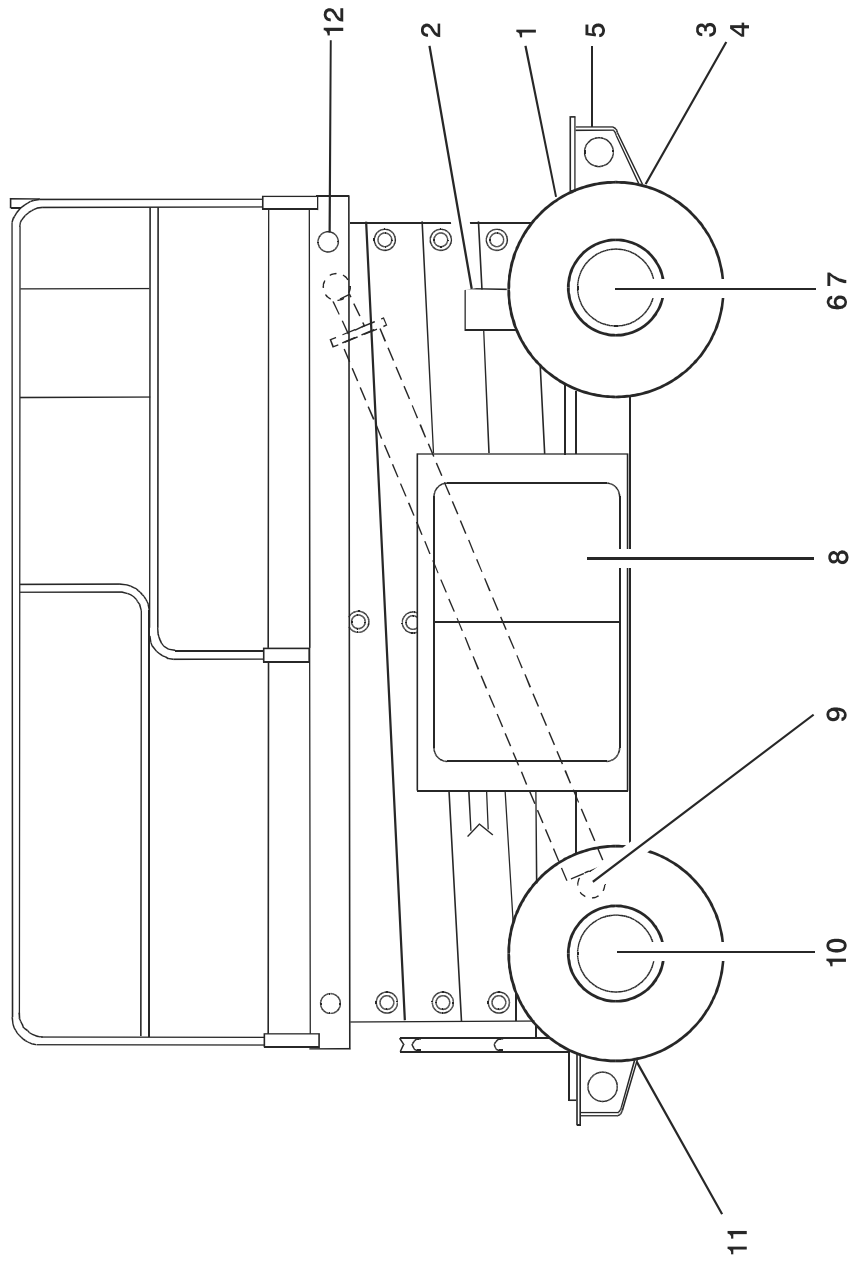


Figure 1-2. Lubrication Diagram

**Table 1-2. Lubrication Chart**

INDEX NO	COMPONENT	NUMBER/TYPE LUBE POINTS	LUBE METHOD	INTERVAL HOURS
1	Oscillating Axle Pivot Point (Optional)	1 Grease Fitting	MPG - Pressure Gun	100
2	Lockout Cylinders (Optional)	2 Grease Fittings (1 each cylinder)	MPG - Pressure Gun	100
3	Front Steering Spindles (2-W/D)	2 Grease Fittings	MPG - Pressure Gun	100
4	Front Steering Spindles (4-W/D) (Optional)	2 Grease Fittings	MPG - Pressure Gun	100
5	Tow Bar Hitch (Optional)	1 Grease Fitting	MPG - Pressure Gun	100
6	Wheel Bearings (2-W/D)	N/A	MPG - Repack	2000
7	*Wheel Drive Hub (4-W/D) (Optional)	Fill Plug	EPGL (SAE 90)	500
8	Engine Crankcase	Fill Cap/Drain Plug	Check Engine Oil Level	10/100
9	Lift Cylinder	2 Grease Fittings	MPG - Pressure Gun	100
10	*Wheel Drive Hub	Fill Plug	EPGL (SAE 90)	500
11	Rear Steering Spindles (4-W/S) (Optional)	2 Grease Fittings	MPG - Pressure Gun	100
12	Rail Slides	N/A	MPG - Brush	100
13	Hydraulic Oil Reservoir	Fill Cap/Drain Plug	HO - Check HO Level (See note 4)/ HO - Change HO	10/500
14	**Hydraulic Filter Element	N/A	Initial Change - 40 Hours	250

\*Torque Hubs should be 1/2 full of lubricant

\*\* JLG Industries recommends replacing the hydraulic filter after the first 40 hours of operation and every 250 hours thereafter.

**KEY TO LUBRICANTS:**

MPG - Multi-purpose Grease

EPGL - Extreme Pressure Gear Lube

HO - Hydraulic Oil (Mobil 424)

**⚠ WARNING**

**TO AVOID PERSONAL INJURY, USE SAFETY PROP FOR ALL MAINTENANCE REQUIRING PLATFORM TO BE ELEVATED.**

**NOTE:** When temperatures remain consistently below -7° C ( 20° F ), JLG Industries recommends the use of Mobil DTE11.

**NOTE:** 1. Be sure to lubricate like items on each side  
 2. Recommended lubricating intervals are based on machine operations under normal conditions. For machines used in multi-shift operations and/or exposed to hostile environments or conditions, lubrication frequencies must be increased accordingly.  
 3. Operate hydraulic functions through one complete cycle before checking hydraulic oil level in tank. Oil should be visible in ADD sight window on hydraulic tank. If oil is not visible, add oil until oil is visible in both ADD and FULL sight windows on tank. Do not overfill tank.  
 4. Any time the pump coupling is removed, coat splines of coupling with Texaco Code 1912 grease prior to assembly.

## SECTION 1 - SPECIFICATIONS

**NOTE:** Aside from JLG recommendations, it is not advisable to mix oils of different brands or types, as they may not contain the same required additives or be of comparable viscosities. If use of hydraulic oil other than Mobilfluid 424 is desired, contact JLG Industries for proper recommendations.

### Lubrication Specifications

**Table 1-3. Lubrication Specifications**

KEY	SPECIFICATIONS
MPG	Multipurpose Grease having a minimum dripping point of 350 degrees F. Excellent water resistance and adhesive qualities, and being of extreme pressure type. (Timken OK 40 pounds minimum.)
EPGL	Extreme Pressure Gear Lube (oil) meeting API service classification GL-5 or MIL-Spec MIL-L-2105.
EO	Engine (crankcase) Oil. Gas - API SF/SG class, MIL-L-2104. Diesel - API CC/CD class, MIL-L-2104B/MIL-L-2104C.
HO	Hydraulic Oil. API service classification GL-3, e.g. Mobil 424.

## 1.5 PRESSURE SETTINGS

### 2-W/S

2 Stack Racine Valve

Main Relief - 172 bar (2500 psi)

Steer Relief - 103 bar (1500 psi)

Lift Overload Relief Pressure

25RTS - 90 bar (1300 psi)

33RTS - 107 bar (1550 psi)

40RTS - 138 bar (2000 psi)

### 4-W/S

3 Stack Racine Valve (If Equipped)

Main Relief - 172 bar (2500 psi)

Steer Relief - 103 bar (1500 psi)

Lift Overload Relief Pressure

25RTS - 90 bar (1300 psi)

33RTS - 107 bar (1550 psi)

40RTS - 138 bar (2000 psi)

Leveling Jacks Valve (If Equipped) - 90 bar (1300 psi)

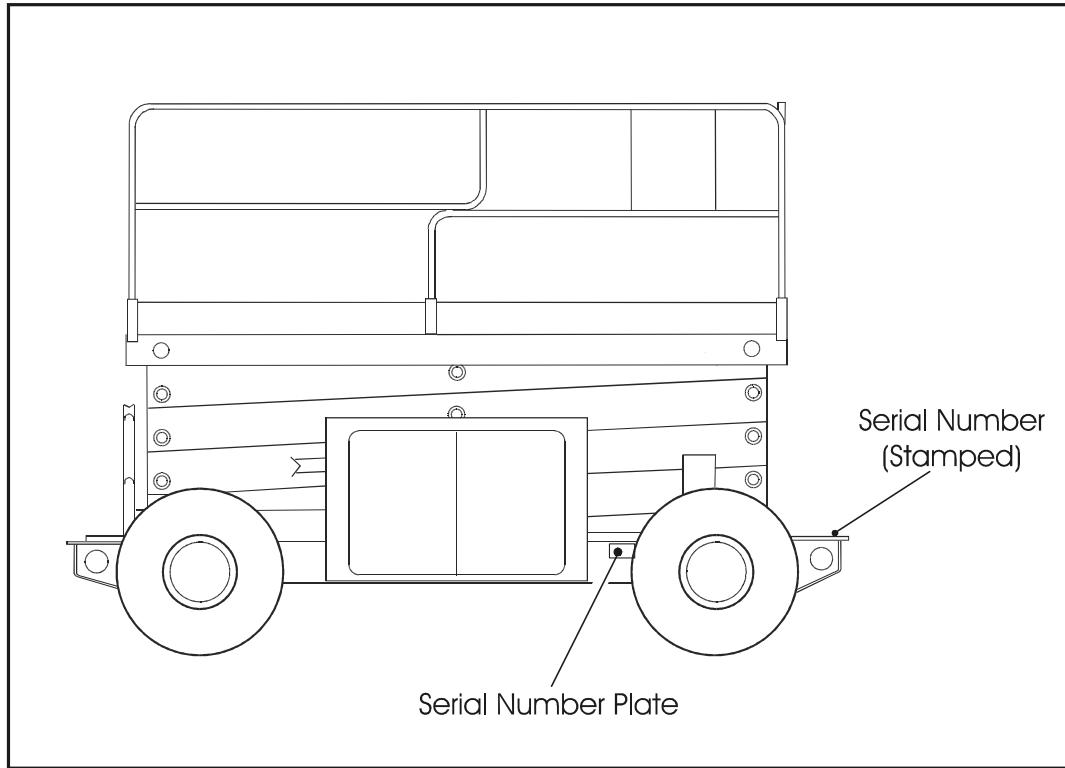


Figure 1-3. Serial Number Location

### 1.6 SERIAL NUMBER LOCATIONS

For machine identification, a serial number plate is affixed to the machine. The plate is located on the right front side of the frame rail. In addition, should the serial number plate be damaged or missing, the machine serial number is stamped on the top of frame between the front wheels.

### 1.7 LIMIT SWITCHES

The machine is equipped with the following limit switches:

**High Drive Speed Cut-Out** - High drive speed is cut out when platform is raised above stowed (fully lowered) position.

**Tilt Alarm - 3°** - A horn is sounded and a warning light is illuminated when the machine is operated on a slope that exceeds 3° with the platform raised. If the machine is operated on a 3° slope with the platform completely lowered, only the warning light is illuminated.

### 1.8 CYLINDER SPECIFICATIONS

**NOTE:** All dimensions are given in inches (in), with the metric equivalent, centimeters (cm), in parentheses.

Table 1-4. Cylinder Specifications

Description	Bore	Stroke	Rod Dia
Lift Cylinder (25RTS/33RTS)	5.0 (12.7)	66.6 (169.2)	3.0 (7.6)
Lift Cylinder (40RTS)	5.0 (12.7)	65.6 (166.4)	3.5 (8.9)
Lockout Cylinder (Oscillating Axle)	3.0 (7.6)	3.75 (9.5)	1.25 (3.2)
Leveling Jack Cylinder	2.0 (5.1)	14.0 (35.6)	1.25 (3.2)
Steer Cylinder	2.5 (6.4)	7.1 (18.1)	1.25 (3.2)

## SECTION 1 - SPECIFICATIONS

### 1.9 MAJOR COMPONENT WEIGHTS

Table 1-5. Major Component Weights

Component	Lb	Kg
Fixed Platform	660	300
Platform Extension	300	136
Arm Assembly- 25 RTS (Includes Lift Cylinder)	2403	1090
Arm Assembly- 33 RTS (Includes Lift Cylinder)	3130	1418
Arm Assembly- 40 RTS (Includes Lift Cylinder)	3860	1750
Chassis with Pneumatic Tires	3398	1541
Chassis with Foam Filled Tires	4102	1860

### 1.10 CRITICAL STABILITY WEIGHTS

#### **WARNING**

DO NOT REPLACE ITEMS CRITICAL TO STABILITY WITH ITEMS OF DIFFERENT WEIGHT OR SPECIFICATION (FOR EXAMPLE: FILLED TIRES, ENGINE) DO NOT MODIFY UNIT IN ANY WAY TO AFFECT STABILITY.

Table 1-6. Critical Stability Weights

Component	Lb	Kg
Tires (Balasted Only)	295	134
Engine (Ford)	525	238
Engine (Deutz)	342	155

## SECTION 2. PROCEDURES

### 2.1 GENERAL

This section provides information necessary to perform maintenance on the sizzor lift. Descriptions, techniques and specific procedures are designed to provide the safest and most efficient maintenance for use by personnel responsible for ensuring the correct installation and operation of machine components and systems.

#### **⚠ CAUTION**

**WHEN AN ABNORMAL CONDITION IS NOTED AND PROCEDURES CONTAINED HEREIN DO NOT SPECIFICALLY RELATE TO THE NOTED IRREGULARITY, WORK SHOULD BE STOPPED AND TECHNICALLY QUALIFIED GUIDANCE OBTAINED BEFORE WORK IS RESUMED.**

The maintenance procedures included consist of servicing and component removal and installation, disassembly and assembly, inspection, lubrication and cleaning. Information on any special tools or test equipment is also provided where applicable.

### 2.2 SERVICING AND MAINTENANCE GUIDELINES

#### General

The following information is provided to assist you in the use and application of servicing and maintenance procedures contained in this chapter.

#### Safety and Workmanship

Your safety, and that of others, is the first consideration when engaging in the maintenance of equipment. Always be conscious of weight. Never attempt to move heavy parts without the aid of a mechanical device. Do not allow heavy objects to rest in an unstable position. When raising a portion of the equipment, ensure that adequate support is provided.

#### Cleanliness

1. The most important single item in preserving the long service life of a machine is to keep dirt and foreign materials out of the vital components. Precautions have been taken to safeguard against this. Shields, covers, seals, and filters are provided to keep air, fuel, and oil supplies clean; however, these items must be maintained on a scheduled basis in order to function properly.

2. At any time when air, fuel, or oil lines are disconnected, clear adjacent areas as well as the openings and fittings themselves. As soon as a line or component is disconnected, cap or cover all openings to prevent entry of foreign matter.
3. Clean and inspect all parts during servicing or maintenance, and assure that all passages and openings are unobstructed. Cover all parts to keep them clean. Be sure all parts are clean before they are installed. New parts should remain in their containers until they are ready to be used.

#### Components Removal and Installation

1. Use adjustable lifting devices, whenever possible, if mechanical assistance is required. All slings (chains, cables, etc.) should be parallel to each other and as near perpendicular as possible to top of part being lifted.
2. Should it be necessary to remove a component on an angle, keep in mind that the capacity of an eye-bolt or similar bracket lessens, as the angle between the supporting structure and the component becomes less than 90°.
3. If a part resists removal, check to see whether all nuts, bolts, cables, brackets, wiring, etc., have been removed and that no adjacent parts are interfering.

#### Component Disassembly and Reassembly

When disassembling or reassembling a component, complete the procedural steps in sequence. Do not partially disassemble or assemble one part, then start on another. Always recheck your work to assure that nothing has been overlooked. Do not make any adjustments, other than those recommended, without obtaining proper approval.

#### Pressure-Fit Parts

When assembling pressure-fit parts, use an "anti-seize" or molybdenum disulfide base compound to lubricate the mating surface.

#### Bearings

1. When a bearing is removed, cover it to keep out dirt and abrasives. Clean bearings in nonflammable cleaning solvent and allow to drip dry. Compressed air can be used but do not spin the bearing.
2. Discard bearings if the races and balls (or rollers) are pitted, scored, or burned.

## SECTION 2 - PROCEDURES

---

3. If bearing is found to be serviceable, apply a light coat of oil and wrap it in clean (waxed) paper. Do not unwrap reusable or new bearings until they are ready to install.
4. Lubricate new or used serviceable bearings before installation. When pressing a bearing into a retainer or bore, apply pressure to the outer race. If the bearing is to be installed on a shaft, apply pressure to the inner race.

### Gaskets

---

Check that holes in gaskets align with openings in the mating parts. If it becomes necessary to hand-fabricate a gasket, use gasket material or stock of equivalent material and thickness. Be sure to cut holes in the right location, as blank gaskets can cause serious system damage.

### Bolt Usage and Torque Application

---

1. Use bolts of proper length. A bolt which is too long will bottom before the head is tight against its related part. If a bolt is too short, there will not be enough thread area to engage and hold the part properly. When replacing bolts, use only those having the same specifications of the original, or one which is equivalent.
2. Unless specific torque requirements are given within the text, standard torque values should be used on heat-treated bolts, studs, and steel nuts, in accordance with recommended shop practices.

### Hydraulic Lines and Electrical Wiring

---

Clearly mark or tag hydraulic lines and electrical wiring, as well as their receptacles, when disconnecting or removing them from the unit. This will assure that they are correctly reinstalled.

### Hydraulic System

---

1. Keep the system clean. If evidence of metal or rubber particles is found in the hydraulic system, drain and flush the entire system.
2. Disassemble and reassemble parts on clean work surface. Clean all metal parts with non-flammable cleaning solvent. Lubricate components, as required, to aid assembly.

### Lubrication

---

Service applicable components with the amount, type, and grade of lubricant recommended in this manual, at the specified intervals. When recommended lubricants are not available, consult your local supplier for an equivalent that meets or exceeds the specifications listed.

### Batteries

---

Clean batteries, using a non-metallic brush and a solution of baking soda and water. Rinse with clean water. After cleaning, thoroughly dry batteries and coat terminals with an anti-corrosion compound.

### Lubrication and Servicing

---

Components and assemblies requiring lubrication and servicing are shown in Section 1.

---

## 2.3 LUBRICATION INFORMATION

### Hydraulic System

---

1. The primary enemy of a hydraulic system is contamination. Contaminants enter the system by various means, e.g., using inadequate hydraulic oil, allowing moisture, grease, filings, sealing components, sand, etc., to enter when performing maintenance, or by permitting the pump to cavitate due to insufficient system warm-up or leaks in the pump supply (suction) lines.
2. The design and manufacturing tolerances of the component working parts are very close, therefore, even the smallest amount of dirt or foreign matter entering a system can cause wear or damage to the components and generally results in faulty operation. Every precaution must be taken to keep hydraulic oil clean, including reserve oil in storage. Hydraulic system filters should be checked, cleaned, and/or replaced as necessary, at the specified intervals required in Section 1. Always examine filters for evidence of metal particles.
3. Cloudy oils indicate a high moisture content which permits organic growth, resulting in oxidation or corrosion. If this condition occurs, the system must be drained, flushed, and refilled with clean oil.
4. It is not advisable to mix oils of different brands or types, as they may not contain the same required additives or be of comparable viscosities. Good grade mineral oils, with viscosities suited to the ambient temperatures in which the machine is operating, are recommended for use.

**NOTE:** Metal particles may appear in the oil or filters of new machines due to the wear-in of meshing components.

### Hydraulic Oil

1. Refer to Section 1 for recommendations for viscosity ranges.
2. JLG recommends Mobilfluid 424 oil, which has an SAE viscosity of 10W-30 and a viscosity index of 152.

**NOTE:** Start-up of hydraulic system with oil temperatures below  $-26^{\circ}\text{C}$  ( $-15^{\circ}\text{F}$ ) is not recommended. If it is necessary to start the system in a sub-zero environment, it will be necessary to heat the oil with a low density, 100VAC heater to a minimum temperature of  $-26^{\circ}\text{C}$  ( $-15^{\circ}\text{F}$ ).

3. The only exception to the above is to drain and fill the system with Mobil DTE 11 oil or its equivalent. This will allow start up at temperatures down to  $-29^{\circ}\text{C}$  ( $-20^{\circ}\text{F}$ ). However, use of this oil will give poor performance at temperatures above  $49^{\circ}\text{C}$  ( $120^{\circ}\text{F}$ ). Systems using DTE 11 oil should not be operated at temperatures above  $94^{\circ}\text{C}$  ( $200^{\circ}\text{F}$ ) under any condition.

### Changing Hydraulic Oil

1. Use of any of the recommended crankcase or hydraulic oils eliminates the need for changing the oil on a regular basis. However, filter elements must be changed after the first 50 hours of operation and every 300 hours thereafter. If it is necessary to change the oil, use only those oils meeting or exceeding the specifications appearing in this manual. If unable to obtain the same type of oil supplied with the machine, consult local supplier for assistance in selecting the proper equivalent. Avoid mixing petroleum and synthetic base oils. JLG Industries recommends changing the hydraulic oil annually.
2. Use every precaution to keep the hydraulic oil clean. If the oil must be poured from the original container into another, be sure to clean all possible contaminants from the service container. Always clean the mesh element of the filter and replace the cartridge any time the system oil is changed.
3. While the unit is shut down, a good preventive maintenance measure is to make a thorough inspection of all hydraulic components, lines, fittings, etc., as well as a functional check of each system, before placing the machine back in service.

### Lubrication Specifications

Specified lubricants, as recommended by the component manufacturers, are always the best choice, however, multi-purpose greases usually have the qualities which meet a variety of single purpose grease requirements. Should any question arise regarding the use of greases in maintenance stock, consult your local supplier for evaluation. Refer to Section 1 for an explanation of the lubricant key designations appearing in the Lubrication Chart.

## 2.4 CYLINDERS - THEORY OF OPERATION

Cylinders are of the double acting type. The Lift and Steer systems incorporate double acting cylinders. A double acting cylinder is one that requires oil flow to operate the cylinder rod in both directions. Directing oil (by actuating the corresponding control valve to the piston side of the cylinder) forces the piston to travel toward the rod end of the barrel, extending the cylinder rod (piston attached to rod). When the oil flow is stopped, movement of the rod will stop. By directing oil to the rod side of the cylinder, the piston will be forced in the opposite direction and the cylinder rod will retract.

**NOTE:** The lift cylinder is a single acting cylinder which takes hydraulic pressure to extend and gravity to retract.

A holding valve is used in the Lift circuit to prevent retraction of the cylinder rod should a hydraulic line rupture or a leak develop between the cylinder and its related control valve.

## 2.5 VALVES - THEORY OF OPERATION

### Solenoid Control Valves (Bang-Bang)

Control valves used are four-way three-position solenoid valves of the sliding spool design. When a circuit is activated and the control valve solenoid energizes, the spool is shifted and the corresponding work port opens to permit oil flow to the component in the selected circuit, with the opposite work port opening to reservoir. Once the circuit is deactivated (control returned to neutral), the valve spool returns to neutral (center) and oil flow is then directed through the valve body and returns to reservoir. A typical control valve consists of the valve body, sliding spool, and two solenoid assemblies. The spool is machine fitted in the bore of the valve body. Lands on the spool divide the bore into various chambers, which, when the spool is shifted, align with corresponding ports in the valve body open to common flow. At the same time other ports would be blocked to flow. The spool is spring-loaded to center position, therefore when the control is released, the spool automatically returns to neutral, prohibiting any flow through the circuit.

### Relief Valves

Main relief valves are installed at various points within the hydraulic system to protect associated systems and components against excessive pressure. Excessive pressure can be developed when a cylinder reaches its limit of travel and the flow of pressurized fluid continues from the system control. The relief valve provides an alternate path for the continuing flow from the pump, thus preventing rupture of the cylinder, hydraulic line or fitting. Complete failure of the system pump is also avoided by relieving circuit pressure. The relief valve is installed in the circuit between the pump outlet (pressure line) and the cylinder of the circuit, generally as an integral part of the system valve bank. Relief pressures are set slightly higher than the load requirement, with the valve diverting excess pump delivery back to the reservoir when operating pressure of the component is reached.

### Crossover Relief Valves

Crossover relief valves are used in circuits where the actuator requires an operating pressure lower than that supplied to the system. When the circuit is activated and the required pressure at the actuator is developed, the crossover relief diverts excess pump flow to the reservoir. Individual, integral relief's are provided for each side of the circuit.

## 2.6 COMPONENT FUNCTIONAL DESCRIPTION

### Piston Hydraulic Pump

The Sundstrand piston hydraulic pump is attached to and driven by the engine. The pump is a 45.9 cm<sup>3</sup> (2.8 in.<sup>3</sup>) displacement piston pump that powers the drive motors.

### Gear Hydraulic Pump

The John Barnes gear pump is "piggy-backed" to the piston pump, and operates all machine functions except drive. The gear pump has a displacement of 10.5 cm<sup>3</sup> (0.6 in.<sup>3</sup>).

### Manual Descent Valve

The manual descent valve is located on top of the holding valve on the lift cylinder. The holding valve is a normally closed solenoid valve, and holds the platform in place when raised. When activated, the valve opens to permit lift down. The holding valve is connected to the manual descent valve, which is connected to a cable which, when pulled, manually opens the lift down port of the valve and allows the platform to be lowered in the event hydraulic power is lost.

## 2.7 SLIDING WEAR PADS

The original thickness of the sliding pads is 50.8 mm (2.0 in.). Replace sliding pads when worn to 47.5 mm (1.87in.).

## 2.8 PUMP AND COUPLING LUBRICATION

To insure proper operation and a long service life for the Hayes pump coupling, it is necessary to lubricate the splines of the coupling any time the coupling is disassembled or replaced. Lubricate the splines with Texaco Code 1912 Pump Coupling Grease ONLY. No other lubricant is recommended.

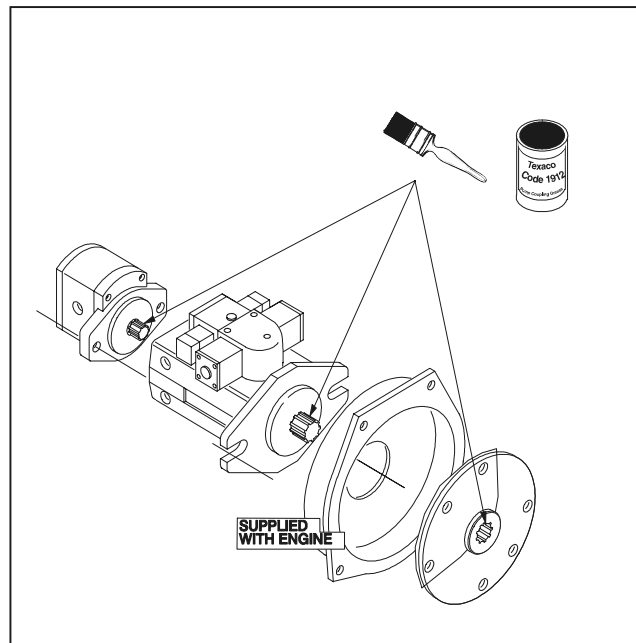


Figure 2-1. Pump and Coupling Lubrication

## 2.9 CYLINDER CHECKING PROCEDURES

**NOTE:** Cylinder checks must be performed any time a cylinder component is replaced or when improper system operation is suspected.

### Cylinder w/o Counterbalance Valves - Steer Cylinder, Axle Lockout Cylinder (If Equipped)

#### **⚠ IMPORTANT**

**OPERATE FUNCTIONS FROM GROUND CONTROL STATION ONLY.**

1. Using all applicable safety precautions, activate hydraulic system and fully extend cylinder to be checked. Shut down hydraulic system.

2. Carefully disconnect hydraulic hose from retract port of cylinder. There will be initial weeping of hydraulic fluid which can be caught in a suitable container. After the initial discharge, there should be no further leakage from the retract port.
3. Activate hydraulic system and activate cylinder extend function. Check retract port for leakage.
4. If cylinder leakage is 6-8 drops per minute or more, piston seals are defective and must be replaced. If cylinder retract port leakage is less than 6-8 drops per minute, carefully reconnect hose to retract port and retract cylinder.
5. With cylinder fully retracted, shut down hydraulic system and carefully disconnect hydraulic hose from cylinder extend port.
6. Activate motor and activate cylinder retract function. Check extend port for leakage.
7. If cylinder leakage is 6-8 drops per minute or more, piston seals are defective and must be replaced. If extend port leakage is less than 6-8 drops per minute, carefully reconnect hose to extend port, then activate cylinder through one complete cycle and check for leaks.

### Cylinders w/Single Counterbalance Valves - Lift Cylinder

**⚠ IMPORTANT**

OPERATE ALL FUNCTIONS FROM GROUND CONTROL STATION ONLY.

1. Using all applicable safety precautions, activate hydraulic system.

**⚠ WARNING**

WHEN WORKING ON THE LIFT CYLINDER, RAISE THE PLATFORM COMPLETELY AND SUPPORT THE PLATFORM USING A SUITABLE OVERHEAD LIFTING DEVICE.

2. Raise platform completely and place a suitable overhead lifting device or prop approximately 2.5 cm (1 in.) below the platform.
3. Shut down hydraulic system and allow machine to sit for 10-15 minutes. Carefully remove hydraulic hoses from cylinder port block.
4. There will be initial weeping of hydraulic fluid, which can be caught in a suitable container. After the initial discharge, there should not be any further leakage from the ports. If leakage continues at a rate of 6-8 drops per minute or more, cylinder repairs must be made. If the retract port is leaking, the piston seals are defective and must be replaced. If the extend

port is leaking, the counterbalance valve is defective and must be replaced.

5. If no repairs are necessary or when repairs have been made, carefully reconnect hydraulic hoses to the appropriate ports.
6. Remove lifting device from platform, activate hydraulic system and run cylinder through one complete cycle to check for leaks.

## 2.10 CYLINDER REMOVAL AND INSTALLATION

### Lift Cylinder Removal

1. Place the machine on a flat and level surface. Start the engine/motor and raise the platform. Shut down the engine/motor and attach a suitable support device to the platform.
2. Remove the bolts, lock washers, and flat washers securing the cylinder rod attach pin #1 to the upper inner arm assembly. Using a suitable brass drift, drive out the rod end attach pin from the arm assembly.

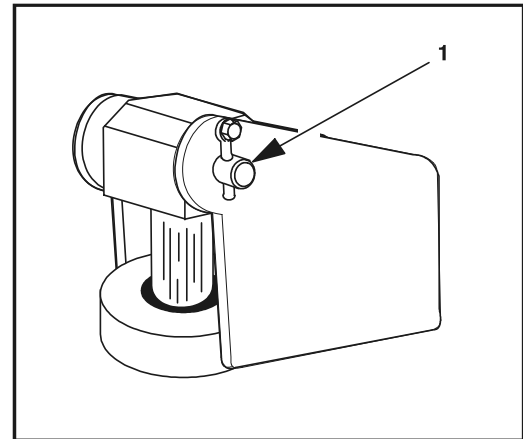


Figure 2-2. Top Lift Cylinder Pin Location

3. Retract the lift cylinder rod completely.
4. Tag and disconnect, then cap the lift cylinder hydraulic lines and ports.
5. Remove the bolts, lock washers, and flat washers securing the barrel end attach pin to the lower arm assembly. Using a suitable brass drift, drive out the barrel end attach pin #2 from the arm assembly.

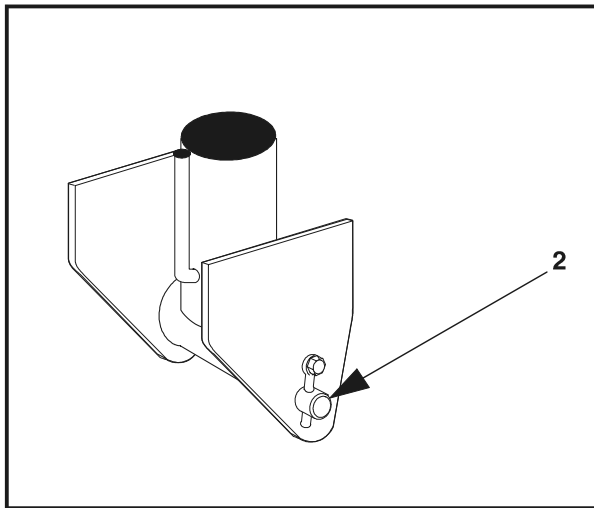


Figure 2-3. Bottom Lift Cylinder Pin Location

- Carefully remove the cylinder from the Sizzor lift and place in a suitable work area.

### Lift Cylinder Installation

- Install lift cylinder in place using suitable slings or supports, aligning barrel end attach pin #2 mounting holes on lower arm assembly.
- Using a suitable drift, drive the barrel end attach pin #2 through the mounting holes in the lift cylinder and the lower arm assembly. Secure in place with the bolts, flat washers, and lock washers.
- Remove cylinder port plugs and hydraulic line caps and correctly attach lines to cylinder ports.
- Extend the cylinder rod until the attach pin #1 hole aligns with those in the upper arm assembly. Using a suitable drift, drive the cylinder rod attach pin #1 through the aligned holes. Secure the pin in place with the bolts, lock washers, and flat washers.
- Remove support from platform and position the safety props to the stowed position.
- Lower platform to stowed position and shut down motor/engine. Check hydraulic fluid level and adjust accordingly.

## 2.11 CYLINDER REPAIR

**NOTE:** The following are general procedures that apply to all of the cylinders on this machine. Procedures that apply to a specific cylinder will be so noted.

### Disassembly

#### **⚠ IMPORTANT**

**DISASSEMBLY OF THE CYLINDER SHOULD BE PERFORMED ON A CLEAN WORK SURFACE IN A DIRT FREE WORK AREA.**

- Place the cylinder barrel into a suitable holding fixture.

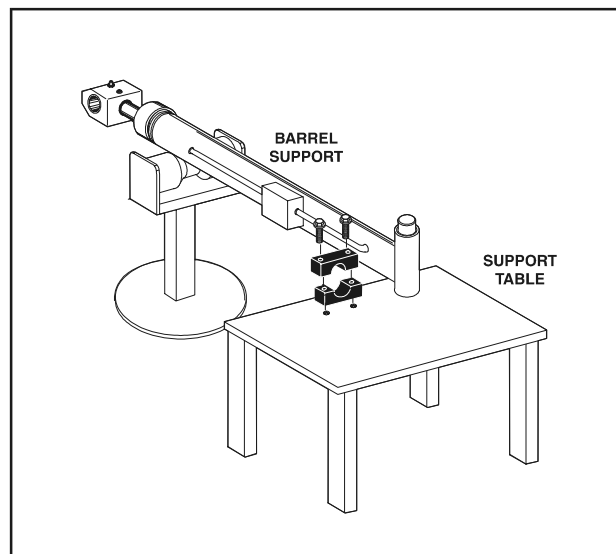


Figure 2-4. Cylinder Barrel Support

- Connect a suitable auxiliary hydraulic power source to the cylinder port block fitting.

#### **⚠ WARNING**

**DO NOT FULLY EXTEND CYLINDER TO THE END OF STROKE. RETRACT CYLINDER SLIGHTLY TO AVOID TRAPPING PRESSURE.**

- Operate the hydraulic power source and extend the cylinder. Shut down and disconnect the power source. Adequately support the cylinder rod, if applicable.

#### **⚠ WARNING**

**CYLINDERS WITH DOUBLE HOLDING VALVES. BEFORE REMOVING HOLDING VALVES CRACK BLEEDER TO RELEASE PRESSURE.**

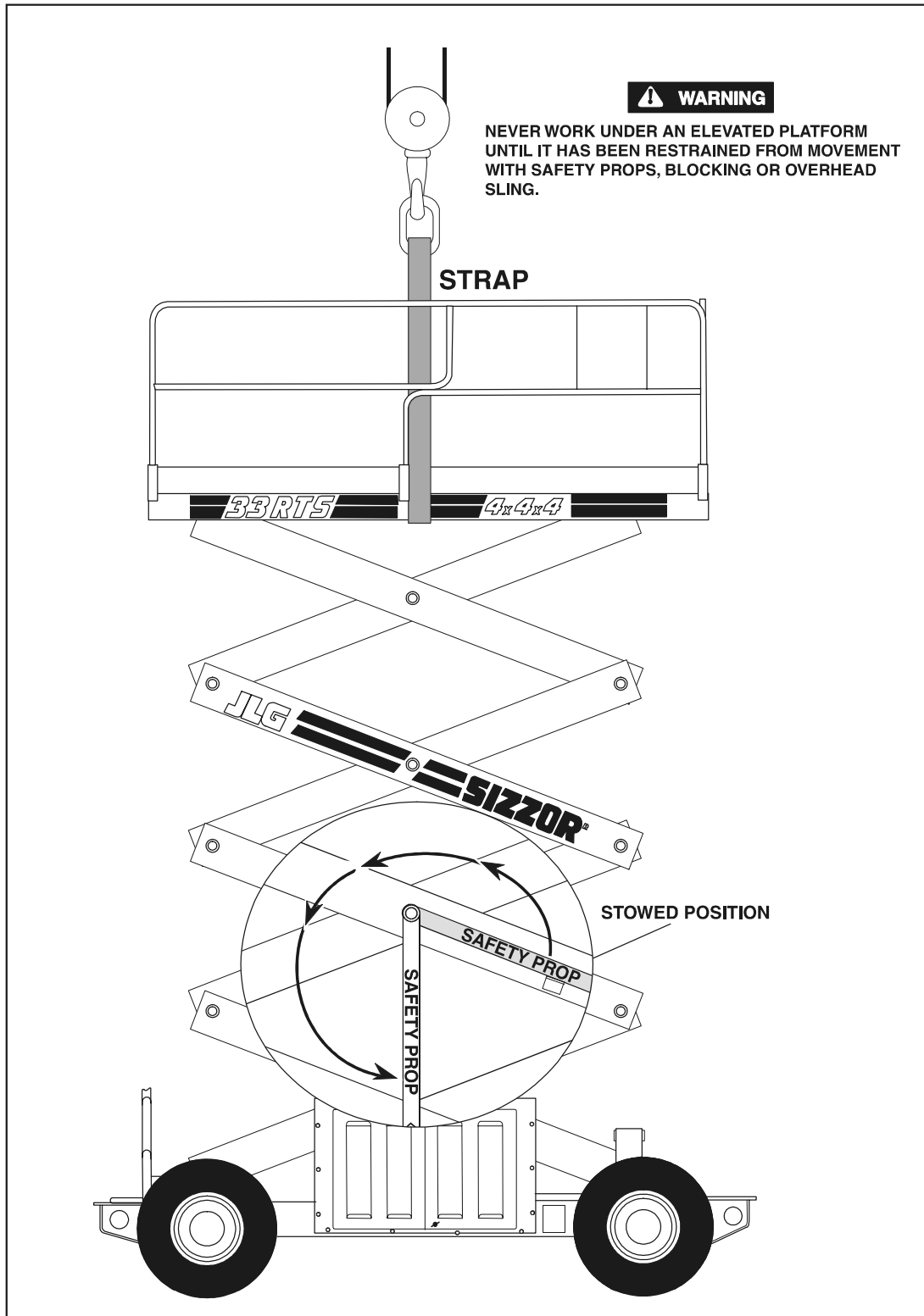


Figure 2-5. Arms and Platform Positioning and Support, Cylinder Repair

## SECTION 2 - PROCEDURES

4. If applicable, remove the cartridge-type holding valve and fittings from the cylinder port block. Discard o-rings.

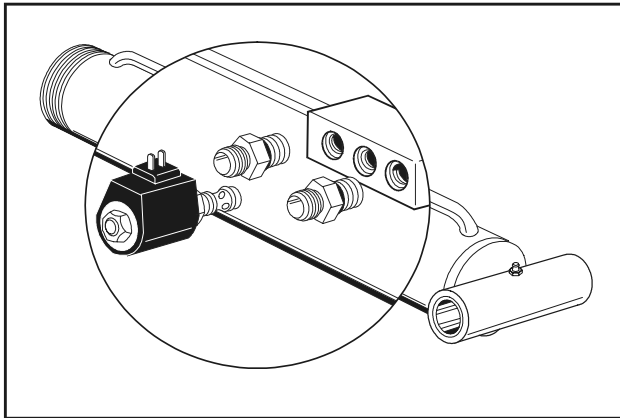


Figure 2-6. Holding Valve and Fitting Removal

5. Tap around outside of cylinder head retainer with a suitable hammer to shatter loctite.
6. Using a suitable chain wrench, loosen the cylinder head retainer, if applicable, and/or cylinder head gland, and remove from cylinder barrel.
7. Attach a suitable pulling device to the cylinder rod port block end or cylinder rod end, as applicable.

### **⚠ IMPORTANT**

**EXTREME CARE SHOULD BE TAKEN WHEN REMOVING THE CYLINDER ROD, HEAD, AND PISTON. AVOID PULLING THE ROD OFF-CENTER, WHICH COULD CAUSE DAMAGE TO THE PISTON AND CYLINDER BARREL SURFACES.**

8. With the barrel clamped securely, apply pressure to the rod pulling device and carefully withdraw the complete rod assembly from the cylinder barrel.
9. Using suitable protection, clamp the cylinder rod in a vise or similar holding fixture as close to the piston as possible.

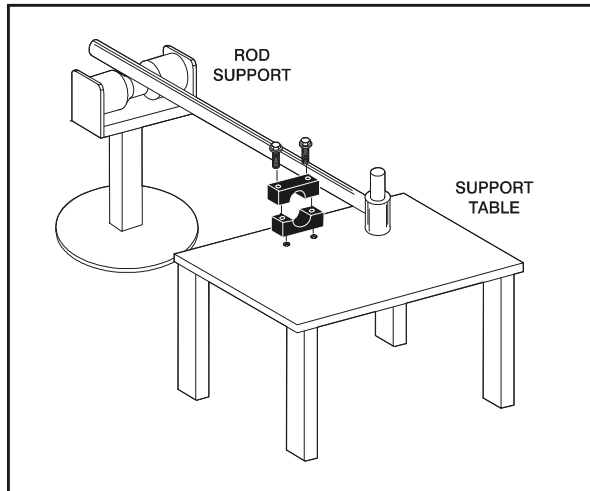


Figure 2-7. Cylinder Rod Support

10. Remove the set screw(s), if applicable, and nut which attach the piston to the rod, and remove the piston. Discard set screws.

**NOTE:** *Steer Cylinder has two retainers at each end of cylinder.*

11. This step only applies to the steer cylinder, remove snap rings from rod which attach the piston to the rod.

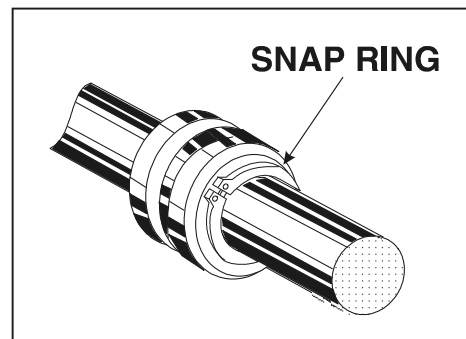


Figure 2-8. Steer Cylinder Snap Ring Removal

12. Remove and discard the piston o-rings, seal rings, and wear rings.
13. Remove piston spacer, and head, from the rod. Discard the o-rings, back-up rings, rod seals, and wiper seals.
14. Remove the cylinder head gland. Remove the rod from the holding fixture.

## Cleaning and Inspection

1. Clean all parts thoroughly in an approved cleaning solvent.
2. Inspect the cylinder rod for scoring, tapering, ovality, or other damage. If necessary, dress rod with Scotch Brite or equivalent. Replace rod if necessary.
3. Inspect threaded portion of rod for excessive damage. Dress threads as necessary.
4. Inspect inner surface of cylinder barrel tube for scoring or other damage. Check inside diameter for tapering or ovality. Replace if necessary.
5. Inspect threaded portion of barrel for damage. Dress threads as necessary.
6. Inspect piston surface for damage and scoring and for distortion. Dress piston surface or replace piston as necessary.
7. Inspect seal and o-ring grooves in piston for burrs and sharp edges. Dress applicable surfaces as necessary.
8. Inspect cylinder head inside diameter for scoring or other damage and for ovality and tapering. Replace as necessary.
9. Inspect seal and o-ring grooves in head for burrs and sharp edges. Dress applicable surfaces as necessary.
10. If applicable, inspect cylinder head retainer or end cap for surface or thread damage. Repair or replace as necessary.
11. Inspect cylinder head outside diameter for scoring or other damage and ovality and tapering. Replace as necessary.
12. If applicable, inspect thread ring for scoring or other damage. Dress threads or applicable surfaces as necessary.
13. If applicable, inspect rod and barrel bushings for signs of correct lubrication and excessive wear. Replace as necessary.
14. Inspect travel limiting collar or spacer for burrs and sharp edges. If necessary, dress inside diameter surface with Scotch Brite or equivalent.
15. If applicable, inspect port block fittings and holding valve. Replace as necessary.
16. Inspect the oil ports for blockage or the presence of dirt or other foreign material. Repair as necessary.
17. If applicable, inspect piston rings for cracks or other damage. Replace as necessary.

## Assembly

**NOTE:** Prior to cylinder assembly, ensure that the proper cylinder seal kit is used.

Apply a light film of hydraulic oil to all components prior to assembly.

1. Place a new wiper seal and rod seal into the applicable cylinder head gland grooves.

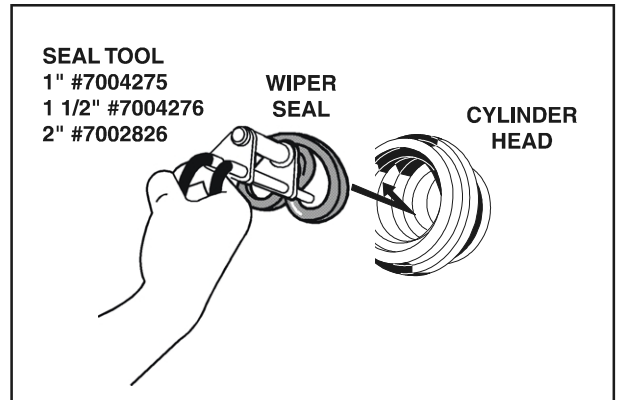


Figure 2-9. Rod Seal Installation

Use a soft mallet to tap a new wiper seal into the applicable cylinder head gland groove.

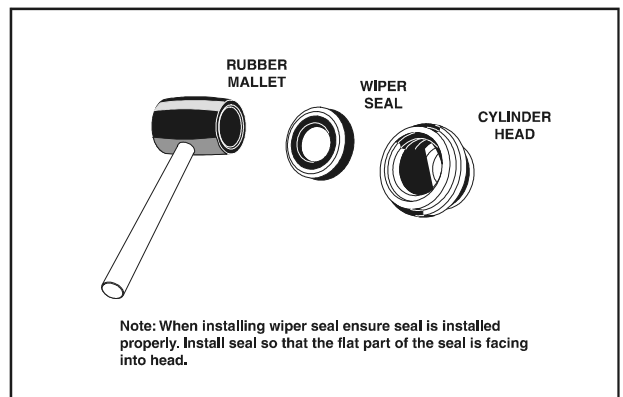


Figure 2-10. Wiper Seal Installation

### **⚠ IMPORTANT**

**WHEN INSTALLING NEW "POLY-PAK" TYPE PISTON SEALS (AXLE LOCKOUT CYLINDER), ENSURE SEALS ARE INSTALLED PROPERLY. REFER TO FIGURE 2-11 FOR CORRECT SEAL ORIENTATION. IMPROPER SEAL INSTALLATION COULD RESULT IN CYLINDER LEAKAGE AND IMPROPER CYLINDER OPERATION.**

## SECTION 2 - PROCEDURES

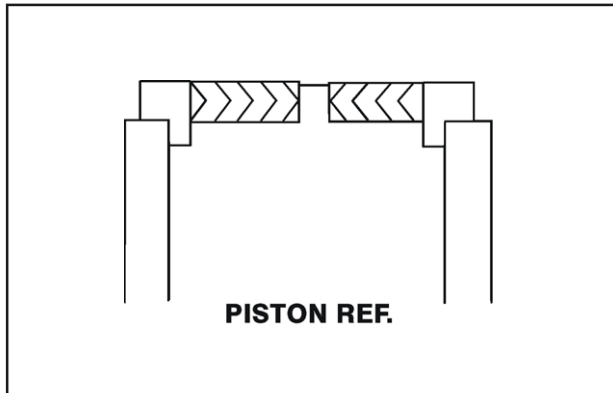


Figure 2-11. Poly-Pak Seal Installation

1. Place a new wear ring into the inner head diameter groove and a new o-ring on the outer diameter groove.

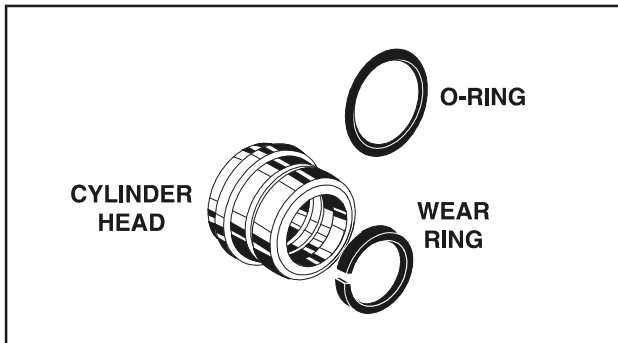


Figure 2-12. Wear Seal Installation

2. Carefully install the head gland on the rod, ensuring that the wiper and rod seals are not damaged or dislodged. Push the head along the rod to the rod end, as applicable.
3. Place a new o-ring into the inner piston diameter groove and a new o-ring and wear ring on the outer diameter groove

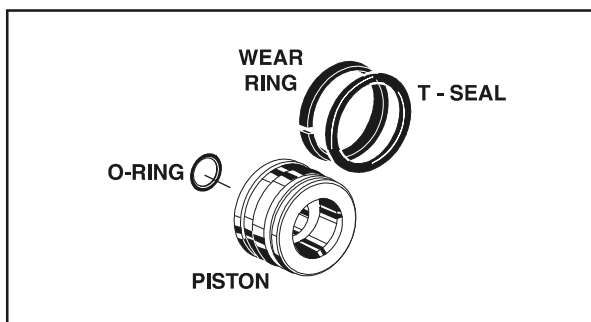


Figure 2-13. Piston O-Ring Installation

4. Carefully slide the piston spacer on the rod. If applicable, align the oil holes in the rod and the spacer. Secure the spacer, if applicable.
5. Carefully place the piston on the cylinder rod, ensuring that the o-ring is not damaged or dislodged.
6. Using suitable protection, clamp the cylinder rod in a vise or similar holding fixture as close to the piston as possible.

Table 2-1. Cylinder Piston Nut Torque Specifications

Description	Nut Torque Value	Setscrew torque Value
Lift Cylinder	400 ft lb (542 Nm)	100 in lb (12 Nm)
Lockout Cylinder	N/A	N/A
Level Cylinder	50 ft lb (68 Nm)	100 in lb (12 Nm)
Steer Cylinder	N/A	N/A

Table 2-2. Holding Valve Torque Specifications

Description	Torque Value	
Sun - 7/8 hex M20 x 1.5 thds	30 - 35 ft lb	41 - 48 Nm
Sun - 1-1/8 hex 1 - 14 UNS thds	45 - 50 ft lb	61 - 68 Nm
Sun - 1-1/4 hex M36 x 2 thds	150 - 153 ft lb	204 - 207 Nm
Racine - 1-1/8 hex 1-1/16 - 12 thds	50 - 55 ft lb	68 - 75 Nm
Racine - 1-3/8 hex 1-3/16 - 12 thds	75 - 80 ft lb	102 - 109 Nm
Racine - 1-7/8 hex 1-5/8 - 12 thds	100 - 110 ft lb	136 - 149 Nm

9. Push the piston onto the rod until it abuts the spacer end and install the attaching nut.

### **⚠ WARNING**

WHEN REBUILDING THE CYLINDERS, APPLY LOCTITE #242 TO PISTON NUT AND SETSCREW, THEN TORQUE PISTON NUT. REFER TO TABLE 2-1, CYLINDER PISTON NUT TORQUE SPECIFICATIONS

**NOTE:** The Steer Cylinder uses snap rings to secure piston.

10. Prior to setscrew installation spot drill rod before installing the setscrew(s) which secure the piston attaching nut to the diameter groove.

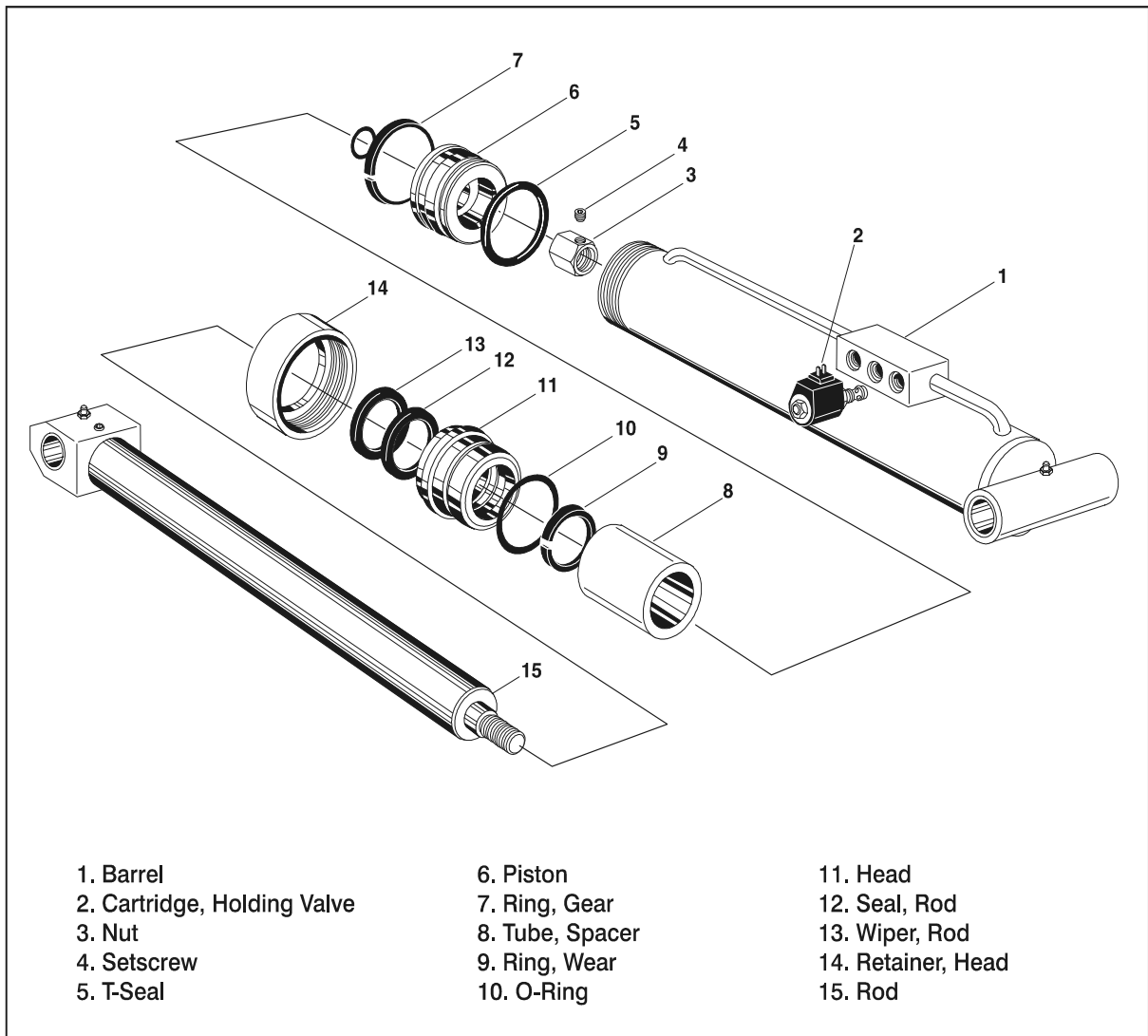


Figure 2-14. Lift Cylinder

- 11. Remove the cylinder rod from the holding fixture.
- 12. Position the cylinder barrel in a suitable holding fixture.
- 14. Continue pushing the rod into the barrel until the cylinder head gland can be inserted into the barrel cylinder.

**⚠ IMPORTANT**

**EXTREME CARE SHOULD BE TAKEN WHEN INSTALLING THE CYLINDER ROD, HEAD, AND PISTON. AVOID PULLING THE ROD OFF-CENTER, WHICH COULD CAUSE DAMAGE TO THE PISTON AND CYLINDER BARREL SURFACES.**

- 13. With barrel clamped securely, and while adequately supporting the rod, insert the piston end into the barrel cylinder. Ensure that the piston loading o-ring and seal ring are not damaged or dislodged.
- 15. If applicable, secure the cylinder head retainer using a suitable chain wrench.
- 16. After the cylinder has been reassembled, the rod should be pushed all the way in (fully retracted) prior to the reinstallation of any holding valve or valves.
- 17. If applicable, install the cartridge-type holding valve and fittings in the port block using new o-rings as applicable. Refer to Table 2-2, Holding Valve Torque Specifications.

### 2.12 TILT ALARM SWITCH

**NOTE:** The machine is equipped with a tilt alarm switch factory set to activate at 3° and will sound an alarm and illuminate a warning light on the platform control console. Consult factory for tilt switch adjustment. The only field adjustment necessary is leveling the switch on the spring loaded studs. There are two methods of adjustment, a manual adjustment and an adjustment using a voltmeter.

#### **⚠ CAUTION**

**PERFORM TILT ALARM SWITCH LEVELING PROCEDURE A MINIMUM OF EVERY SIX MONTHS TO ENSURE PROPER OPERATION AND ADJUSTMENT OF SWITCH.**

#### Manual Adjustment

1. Park the machine on a flat, level surface and ensure machine is level.

**NOTE:** Ensure switch mounting bracket is level and securely attached.

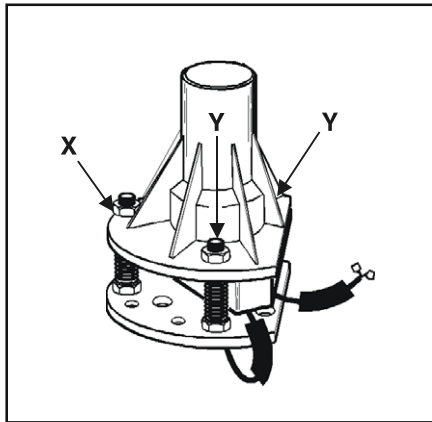


Figure 2-15. Tilt Alarm Switch - Manual Adjustment

2. Level the base of the indicator by tightening the three flange nuts. Tighten each nut through approximately one half of its spring's travel. **DO NOT ADJUST THE "X" NUT DURING THE REMAINDER OF THE PROCEDURE.**
3. With the electrical connections complete, slowly tighten one of the "Y" nuts until the circuit is closed and the light on the Platform Control Console illuminates.
4. Slowly back off the nut, counting the number of turns, until the circuit is again closed and the light again illuminates.
5. Divide the number of turns determined in step (4) in half. Tighten the nut this many turns. The line determined by this nut and the "X" nut is now parallel to the ground.
6. Repeat steps (3) through (5) for the remaining "Y" nut. The switch is now level.
7. Individually push down on one corner at a time; there should be enough travel to cause the switch to trip. If the switch does not trip in all three tests, the flange nuts have been tightened too far. Loosen the "X" nut and repeat steps (3) through (7).

#### Voltmeter Adjustment

1. Park machine on a flat, level surface and ensure machine is level.
2. If motor is not running, turn ignition switch to ON.
3. Connect black lead of voltmeter to ground and red lead to yellow wire protruding from pot on bottom of sensor.
4. Adjust leveling nuts to obtain the highest possible voltage reading.
5. Check voltage at trip point in all four directions. If voltage reading is not symmetrical, repeat step (4) above.

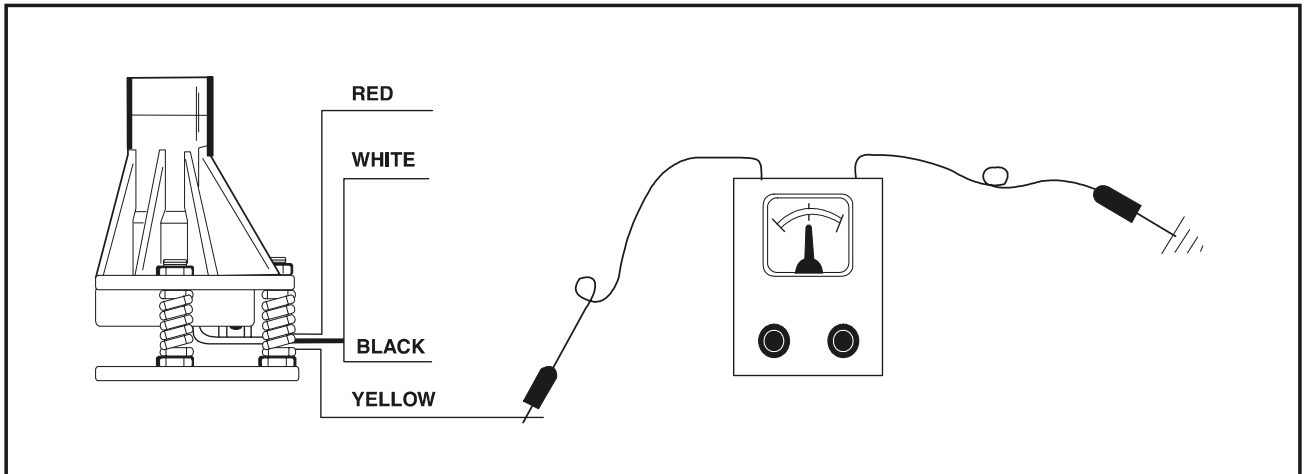


Figure 2-16. Tilt Alarm Switch - Voltmeter Adjustment

### 2.13 LIMIT SWITCH ADJUSTMENT PROCEDURE

**NOTE:** The high drive limit switch is located on top of the frame at the front of the machine.

1. With the machine in the stowed position raise the platform until the arms break away from each other.
2. The high drive speed switch should be set to cut out high drive at this point

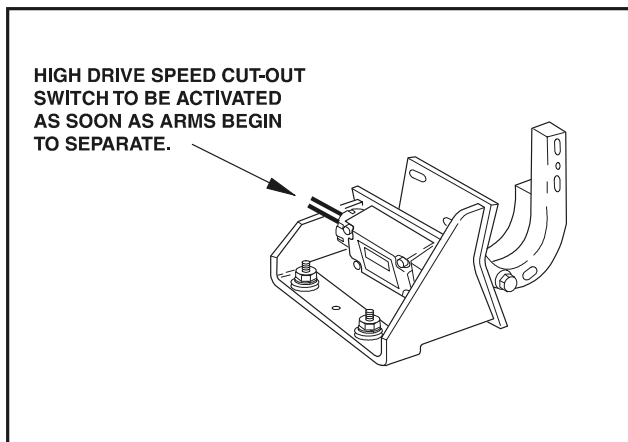


Figure 2-17. Limit Switch Cut-Out

### 2.14 DRIVE PUMP START-UP PROCEDURE

**⚠ IMPORTANT**

THE FOLLOWING PROCEDURE SHOULD ALWAYS BE PERFORMED WHEN STARTING A NEW PUMP OR WHEN RESTARTING AN INSTALLATION IN WHICH EITHER THE PUMP OR MOTOR HAVE BEEN REMOVED FROM THE SYSTEM.

**⚠ IMPORTANT**

THE FOLLOWING PROCEDURE SHOULD ALWAYS BE PERFORMED WHEN STARTING A NEW PUMP OR WHEN RESTARTING AN INSTALLATION IN WHICH EITHER THE PUMP OR MOTOR HAVE BEEN REMOVED FROM THE SYSTEM.

THE FOLLOWING PROCEDURE MAY REQUIRE THE MACHINE TO BE DISABLED (WHEELS RAISED OFF THE GROUND, DRIVE FUNCTION DISCONNECTED, ETC.) WHILE PERFORMING THE PROCEDURE IN ORDER TO PREVENT INJURY TO TECHNICIAN AND OTHER PERSONNEL. TAKE NECESSARY SAFETY PRECAUTIONS BEFORE MOVING THE MACHINE.

Prior to installing pump and/or motor, inspect unit(s) for damage incurred during shipping and handling. Make certain all system components (reservoir, hoses, valves, fittings, heat exchanger, etc.) are clean prior to filling with hydraulic fluid.

Fill reservoir with recommended hydraulic fluid, which should be passed through a 10 micron (nominal, no bypass) filter prior to entering the reservoir. The use of contaminated fluid will cause damage to components, which may result in unexpected machine movement.

## SECTION 2 - PROCEDURES

---

The inlet line leading from the reservoir to the pump should be filled prior to start-up. Check inlet line for properly tightened fittings and make sure it is free of restrictions and air leaks.

Be certain to fill pump and/or motor housing with clean hydraulic fluid prior to start-up. Fill housing by pouring filtered oil into upper case drain port.

Install a 0 to 35 bar (0 to 500 psi) pressure gauge in the charge pressure gauge port to monitor charge pressure during start-up.

It is recommended that the external control input signal electrical connections be disconnected at the pump control until after initial start-up. This will allow the pump to remain in its neutral position.

“Jog” or slowly rotate prime mover until charge pressure starts to rise. Start prime mover and run at the lowest possible RPM until charge pressure has been established. Excess air may be bled from high pressure lines through high pressure gauge ports.

### **WARNING**

**DO NOT START PRIME MOVER UNLESS PUMP IS IN NEUTRAL POSITION (0 DEGREES SWASHPLATE ANGLE). TAKE PRECAUTIONS TO PREVENT MACHINE MOVEMENT IN CASE PUMP IS ACTUATED DURING INITIAL START-UP.**

Once charge pressure has been established, increase speed to normal operating RPM. Charge pressure should be approximately 15.5 bar (220 psi) minimum. If charge pressure is incorrect, shut down and determine cause for improper pressure.

### **WARNING**

**INADEQUATE CHARGE PRESSURE WILL AFFECT THE OPERATOR'S ABILITY TO CONTROL THE MACHINE.**

Shut down prime mover and connect external control input signal. Start prime mover, checking to be certain pump remains in neutral. With prime mover at normal operating speed, slowly check for forward and reverse machine operation.

Charge pressure should remain at 15.5 bar -16.9 bar (220 psi - 240 psi) minimum during forward or reverse operation. Continue to cycle slowly between forward and reverse for at least five minutes.

Shut down prime mover, remove gauges, and plug ports. Check reservoir level and add fluid if necessary.

---

## 2.15 THROTTLE CHECKS AND ADJUSTMENTS - FORD

### Throttle Checks

---

1. Check that anti-dieseling solenoid is operating. If solenoid is operating, an audible click should be heard when the ignition is switched on and off.
2. Check throttle linkage for smooth operation by rotating throttle lever by hand to full throttle position, then slowly back to idle position, feeling closely for sticking or binding.

### Throttle Adjustments - In Sequence

---

**NOTE:** Steps (1) and (2) are preliminary settings.

1. Remove cover from controller. With engine shut down, turn 'gain' CCW as far as it will go, then turn screw slot CW until vertical. Gain may need fine tuning.
2. Turn 'droop' CCW as far as it will go. Then turn screw slot CW until vertical. 'Droop' should not need further adjustment.
3. Turn idle adjusting screw on carburetor CCW until there is a gap between the screw and stop plate.
4. Start engine and allow it to come up to operating temperature.
5. Remove wire from no. 7 connector on controller, which will switch engine speed to HIGH. On the E-301 controller adjust 'high speed' screw until engine runs at 2800 rpm. On the E-401H controller adjust 'main speed' screw until engine runs at 2800 rpm.

**NOTE:** If engine surges, turn 'gain' screw one or two degrees CCW until surging stops, no more.

6. Replace wire no. 7 connector on controller, which will return engine to LOW speed. On the E-301 controller adjust 'low speed' until engine runs at 2200 rpm. On the E-401H controller adjust 'mid speed' until engine runs at 2200 rpm.
7. Recheck speeds. When satisfied, apply a drop of fingernail polish to all trimpot screws. Replace cover.

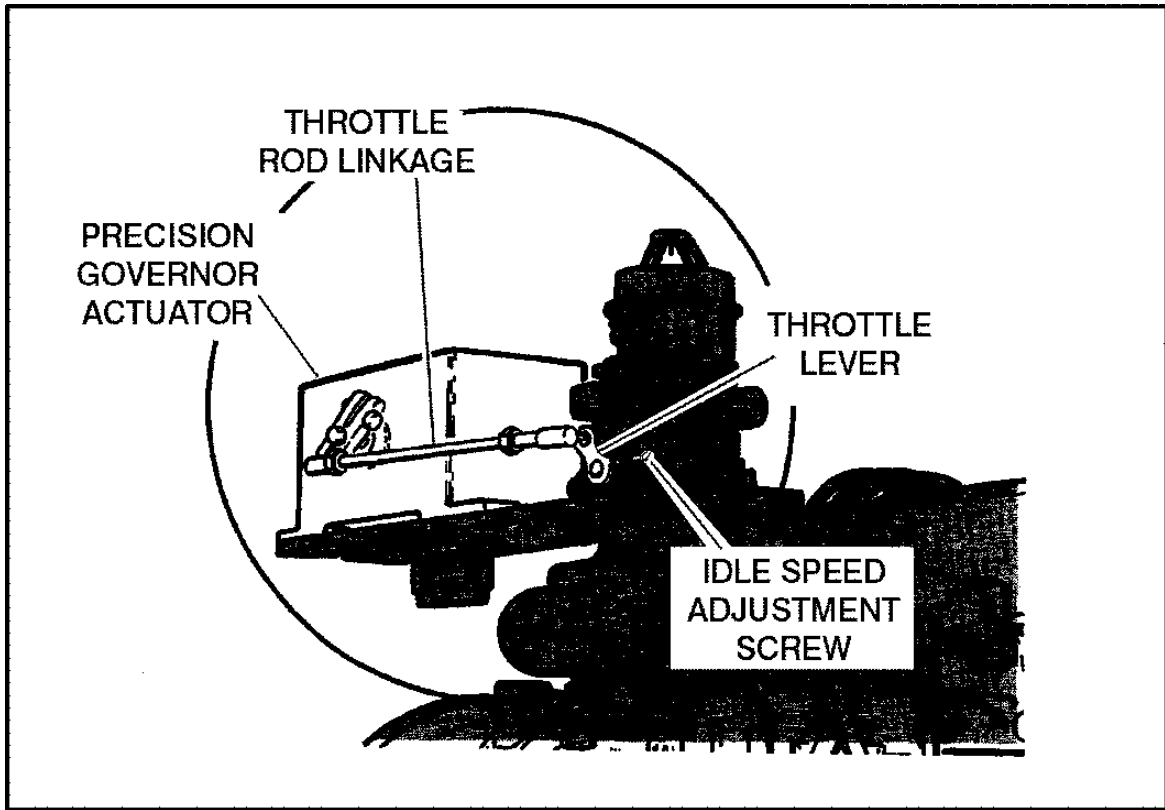


Figure 2-18. Throttle Checks and Adjustments - Ford

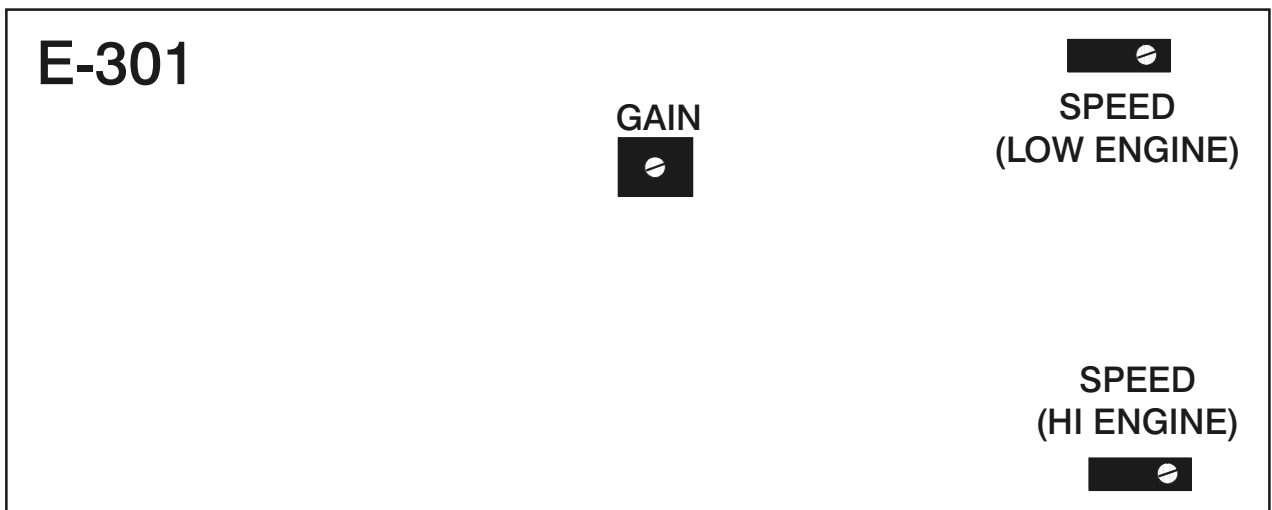


Figure 2-19. Precision Governor Adjustments (1600269 Controller)

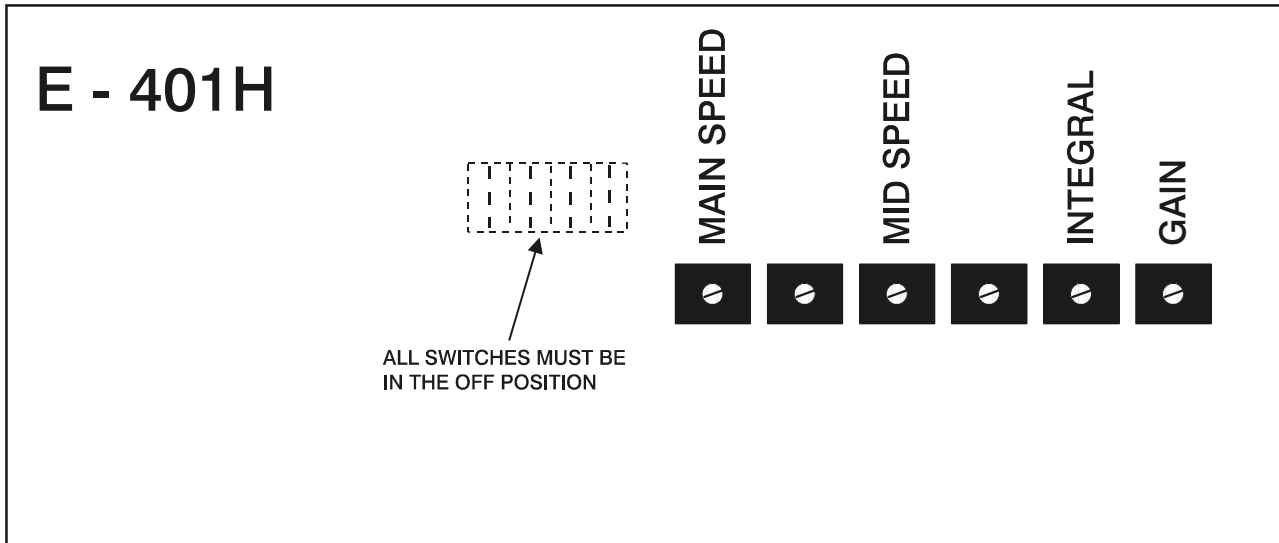


Figure 2-20. Precision Governor Adjustments (1600325 Controller)

## 2.16 THROTTLE CHECKS AND ADJUSTMENTS - DEUTZ

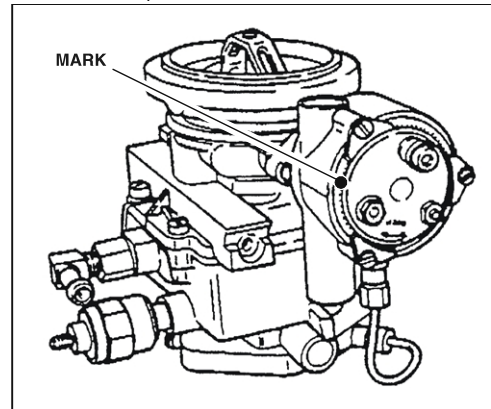
**NOTE:** Never run fuel tank dry. Diesel engines cannot be restarted after running out of fuel until fuel system has been air-vented or "bled" of air. (See Deutz Operators Manual for procedure.)

Disconnect actuator cable from the throttle lever. With the aid of an assistant, start the engine and allow it to come up to operating temperature. Adjust throttle lever stop until engine runs at 2200 rpm. Shut down engine. Reattach actuator cable to throttle lever, making sure that low engine setting remains the same. Restart engine and check settings. If necessary, adjust slide pin to contact low engine limit switch at 2200 rpm. Shut down engine.

With the aid of an assistant, start engine from platform and allow it to come up to operating temperature. Disconnect modular dump valve wire. Activate HIGH ENGINE switch. Activate and Drive Controller and hold it in full drive position. Adjust slide pin to contact high engine limit switch at 2800 rpm. Shut off all switches and controllers. Reconnect modular control dump valve wire.

**NOTE:** Actuator cable travel must stop slightly before lever makes contact with throttle lever stop. Failure to do so will burn out actuator.

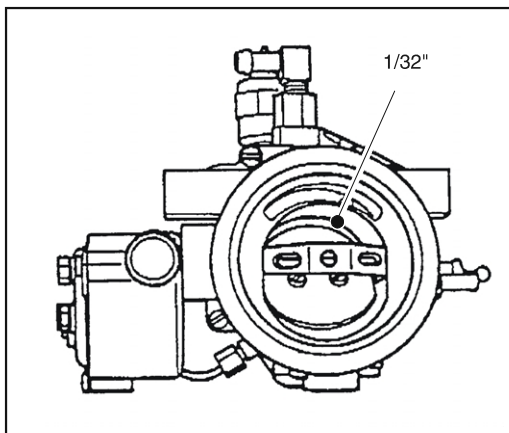
- c. Adjust the cover to open the choke plate 1 /32". Readjust for ambient temperature by rotating the cover one (1) mark per 5°F from 70° F. Rotate CCW (lean) if warmer than 70°F, CW (rich) if colder than 70°F. (If actual temperature is 80°F, set at 1/32" and rotate two (2) marks CCW [lean] direction).



- d. Tighten the three cover plate screws and check for free rotation (no sticking or binding) of the choke shaft.

## 2.17 AUTOMATIC CHOKE ADJUSTMENT - FORD ENGINE

1. At 21° C (70°F) the choke plate should be open .8 mm (1/32 in.) (not touching the choke bore).
2. If the ambient temperature is not 21° C (70°F), an additional adjustment is required. As follows:
  - a. Loosen the three cover plate screws.
  - b. Adjust the cover to open the choke plate.8 mm (1/32 in.)..



### 2.18 HYDRAULIC COMPONENT START-UP PROCEDURES AND RECOMMENDATIONS

From a hydrostatic component standpoint, the goal at system start up is to put into functional operation, the hydrostatic system in such a way as to preserve the designed life span of the system. The following start-up procedure should be adhered to whenever a new pump or motor is initially installed into a machine, or a system is restarted after either a pump or motor has been removed and/or replaced.

#### **⚠ WARNING**

**THE FOLLOWING PROCEDURE MAY REQUIRE THE MACHINE TO BE DISABLED (WHEELS RAISED OFF THE GROUND, WORK FUNCTIONS DISCONNECTED, ETC.) WHILE PERFORMING THE PROCEDURE IN ORDER TO PREVENT INJURY. TAKE NECESSARY SAFETY PRECAUTIONS BEFORE MOVING THE VEHICLE/MACHINE.**

Prior to installing the pump and/or motor, inspect the unit(s) for damage that may have been incurred during shipping and handling. Make certain that all system components (reservoir, hoses, valves, fittings, heat exchanger, etc.) are clean prior to filling with fluid.

Fill the reservoir with recommended hydraulic fluid. This fluid should be passed through a 10 micron (nominal, no bypass) filter prior to entering the reservoir. The use of contaminated fluid will cause damage to the components, which may result in unexpected vehicle/machine movement.

**NOTE:** *If a pump or motor is being replaced due to internal damage, the remaining units (pump or motors) need to be inspected for damage and contamination, and the entire hydraulic system will need to be flushed and the fluid replaced. Failure to do so may cause considerable damage to the entire system.*

The inlet line leading from the reservoir to the pump must be filled prior to start-up. Check the inlet line for property tightened fittings and make sure it is free of restrictions and air leaks.

**NOTE:** *In most cases, the reservoir is above the pump inlet so that the pressure head created by the higher oil level helps to keep the inlet pressures within an acceptable range and prevent high vacuum levels. However, due to hose routing or low reservoir locations, there may be air trapped within this line. It is important to assure that the air is bled from this line. This can be accomplished by loosening the hose at the fitting closest the pump. When oil begins to flow, the line is full, the air has been purged, and the fitting can be retightened to its specified torque. If the tank needs to be pressurized in order to start the flow of oil, a vacuum reading should be taken at the inlet of the pump during operation in order to verify that the pump is not being asked to draw an inlet vacuum higher than it is capable of.*

Be certain to fill the pump and/or motor housing with clean hydraulic fluid prior to start up. Fill the housing by pouring filtered oil into the upper case drain port.

**NOTE:** *It is highly recommended to use the highest possible case drain port, this ensures that the housing contains as much oil as possible and offers the greatest amount of lubrication to the internal components.*

**NOTE:** *In initial start-up conditions, it may be convenient to fill the housing, just prior to installing the case drain line. Component, (especially motor), location may be such that access to the case drain port after installation is not realistic.*

**NOTE:** *Make certain that the oil being used to fill the component housing is as clean as possible, and store the fill container in such a way as to prevent it from becoming contaminated.*

Install a 60 bar (or 1000 psi) pressure gauge in the charge pressure gauge port in order to monitor the charge pressure during start-up.

It is recommended that the external control input signal, (electrical connections for EDC), be disconnected at the pump control until after initial start-up. This will ensure that the pump remains in its neutral position.

#### **⚠ WARNING**

**DO NOT START THE ENGINE UNLESS PUMP IS IN THE NEUTRAL POSITION (0 DEGREES SWASHPLATE ANGLE). TAKE PRECAUTIONS TO PREVENT MACHINE MOVEMENT IN CASE PUMP IS ACTUATED DURING INITIAL START-UP.**

"Jog" or slowly rotate the engine until charge pressure starts to rise. Start the engine and run at the lowest possible RPM until charge pressure has been established. Excess air should be bled from the system lines as close to the motors as possible.

**NOTE:** *With the engine on low idle, "crack", (loosen-don't remove), the system lines at the motor(s). Continue to run the engine at low idle and tighten the system lines as soon as oil is observed to leak from them. When oil is observed to "leak" at the motor the line is full, the air has been purged, and the system hoses should be retightened to their specified torque.*

Once charge pressure has been established, increase speed to normal operating RPM. Charge pressure should be as indicated in the pump model code. If charge pressure is inadequate, shut down and determine the cause for improper pressure.

**⚠ WARNING**

**INADEQUATE CHARGE PRESSURE WILL AFFECT THE OPERATOR'S ABILITY TO CONTROL THE MACHINE.**

Shut down the engine and connect the external control input signal. Also reconnect the machine function(s), if disconnected earlier. Start the engine, checking to be certain the pump remains in neutral. With the engine at normal operating RPM, slowly check for forward and reverse machine operation.

Charge pressure may slightly decrease during forward or reverse operation. Continue to cycle slowly between forward and reverse for at least five minutes.

Shut down engine, remove gauges, and plug ports. Check reservoir level and add filtered fluid if needed.

The machine is now ready for operation.

7. Bottom out Lift Up functions and adjust Lift Up Relief Pressure to:  
 25RTS - 90 bar (1300 psi)  
 33RTS - 106 bar (1550 psi)  
 40RTS - 138 bar (2000 psi)
8. De-energize Lift function, shut down motor, and disconnect pressure gauge.

**Lift Down Speed Adjustment**

1. Activate engine and allow hydraulic system to come up to operating temperature.
2. Adjust color flow valve lift down speed at 30-40 seconds.

**Leveling Jacks Valve (If Equipped)**

1. Activate engine and allow hydraulic system to come up to operating temperature.
2. Install pressure gauge at quick connect on Racine Two Stack Valve.
3. Energize and bottom out any jack function. Adjust relief cartridge as follows:  
 25RTS - 90 bar (1300 psi)  
 33RTS - 106 bar (1550 psi)  
 40RTS - 138 bar (2000 psi)
4. De-energize jack function and shut down engine. Remove pressure gauge.

**2.19 PRESSURE SETTING PROCEDURES - (2 W/S)**

**Racine Two Stack Valve**

1. Install pressure gauge at quick connect on Racine Two Stack Valve.
2. Adjust both Steer Section Crossover Relief's all the way in.
3. Adjust Main Relief Cartridge out several turns.
4. Activate engine and allow hydraulic system to come up to operating temperature.
5. Bottom out Steer function. Adjust Main Relief to 172 bar (2500 psi).
6. Bottom out Steer Right and Steer Left functions and adjust each Steer Crossover Relief to 103 bar (1500 psi).

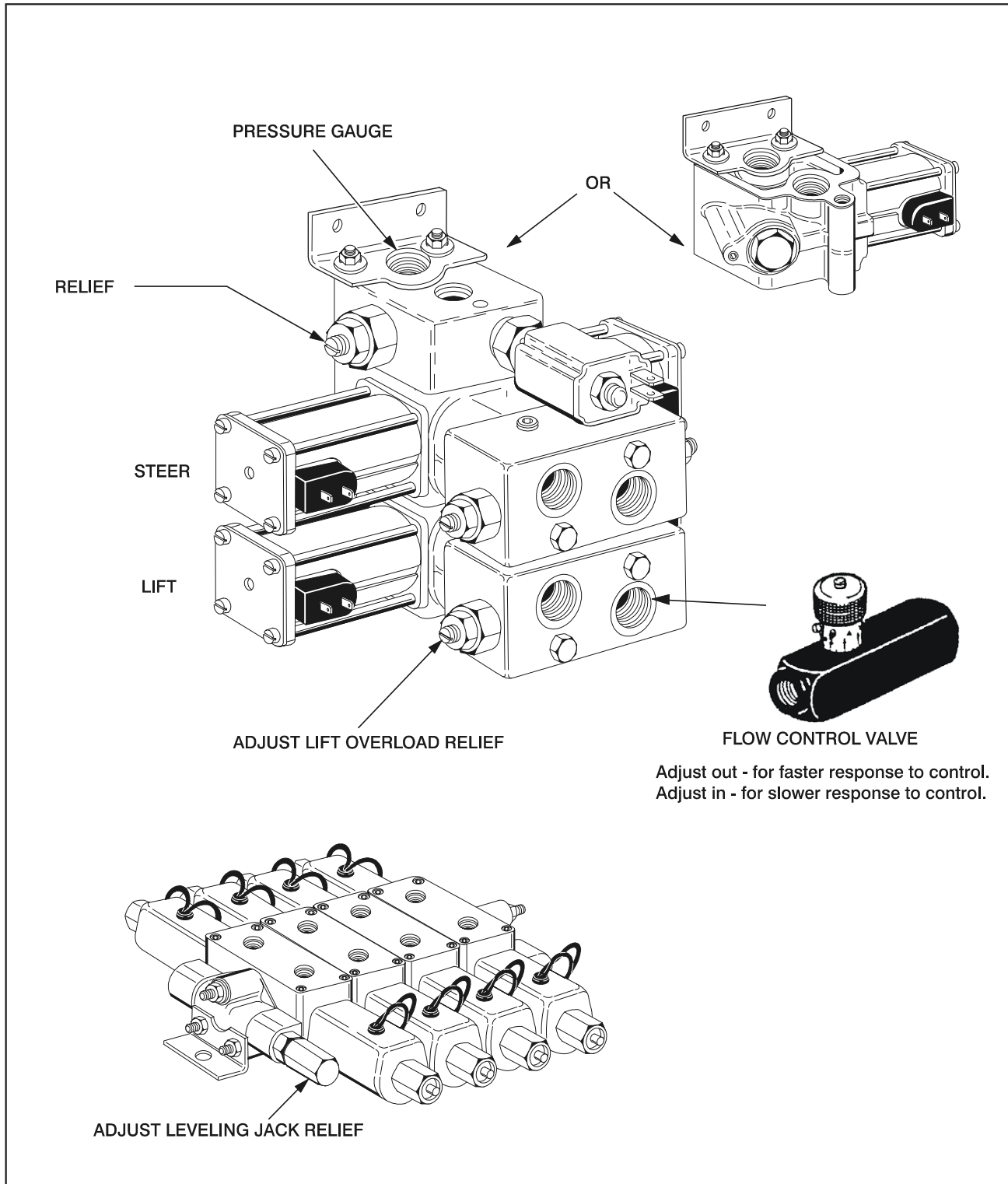


Figure 2-21. Pressure Adjustment Locations (2 W/S)

## 2.20 PRESSURE SETTING PROCEDURES - (4 W/S)

### Racine Three Stack Valve (If Equipped)

1. Install pressure gauge at quick connect on Racine Two Stack Valve.
2. Adjust both Steer Section Crossover Relief's all the way in.
3. Adjust Main Relief Cartridge out several turns.
4. Activate engine and allow hydraulic system to come up to operating temperature.
5. Bottom out Steer function. Adjust Main Relief to 172 bar (2500 psi).
6. Bottom out Front Steer Right and Steer Left functions and adjust each Steer Crossover Relief to 103 bar (1500 psi).
7. Bottom out Rear Steer Right and Steer Left functions and adjust each Steer Crossover Relief to 103 bar (1500 psi).
8. Bottom out Lift Overload functions and adjust Lift Up Relief Pressure as follows:
  - 25RTS - 90 bar (1300 psi)
  - 33RTS - 106 bar (1550 psi)
  - 40RTS - 138 bar (2000 psi)
9. De-energize Lift function, shut down motor, and disconnect pressure gauge.

### Lift Down Speed Adjustment

1. Activate engine and allow hydraulic system to come up to operating temperature.
2. Adjust color flow valve lift down speed at 25-30 seconds.

### Leveling Jacks Valve (If Equipped)

1. Activate engine and allow hydraulic system to come up to operating temperature.
2. Install pressure gauge at quick connect on Racine Two Stack Valve.
3. Energize and bottom out any jack function. Adjust relief cartridge as follows:
  - 25RTS - 90 bar (1300 psi)
  - 33RTS - 106 bar (1550 psi)
  - 40RTS - 138 bar (2000 psi)

4. De-energize jack function and shut down engine. Remove pressure gauge.

## 2.21 OSCILLATING AXLE LOCKOUT CYLINDER BLEEDING PROCEDURE

**NOTE:** Ensure platform is fully lowered to open the cam valve prior to beginning oscillating axle lockout cylinder bleeding procedure.

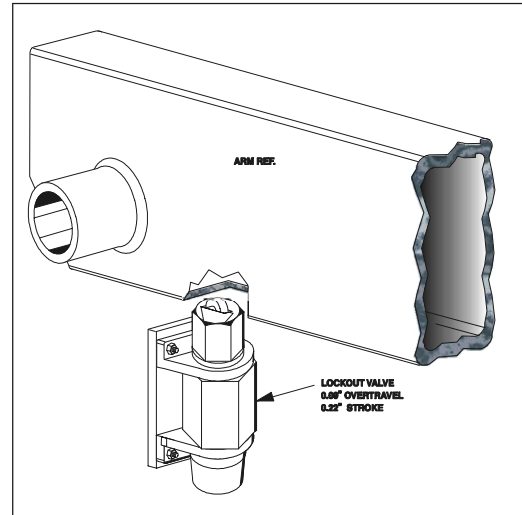


Figure 2-22. Oscillating Axle Cam Valve

1. Making sure that machine is on a level surface and rear wheels are blocked, disengage drive hubs.

**NOTE:** All drive hubs must be unlocked on machines equipped with 4WD.

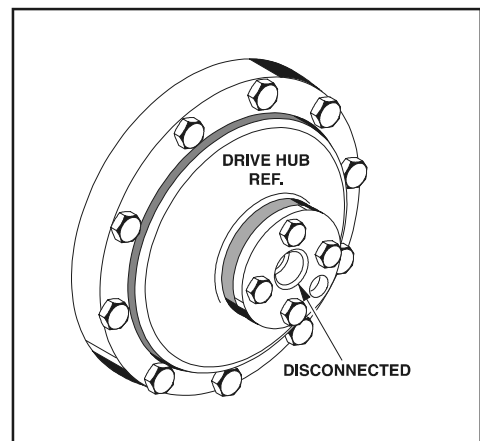


Figure 2-23. Drive Hub Disconnect

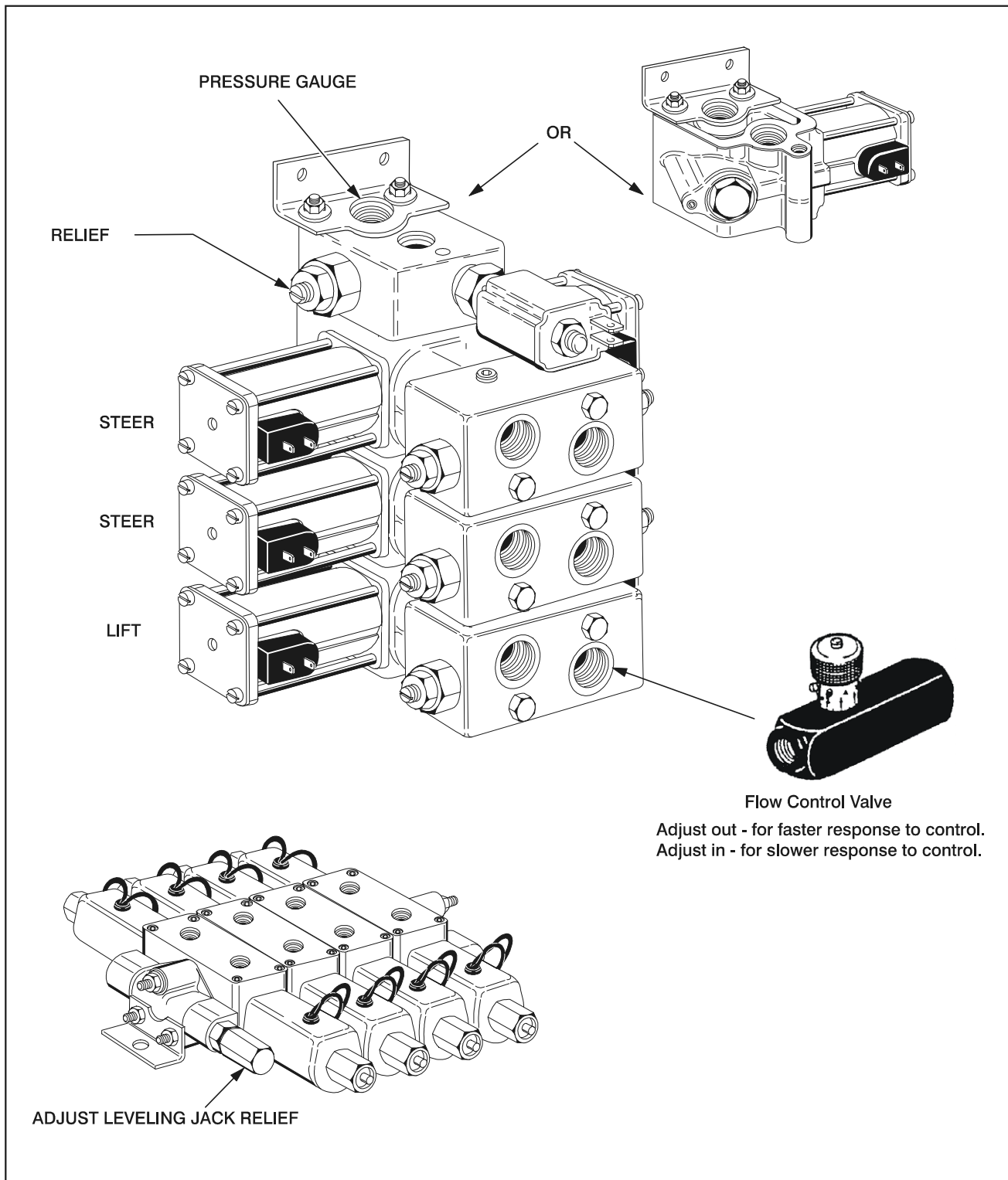
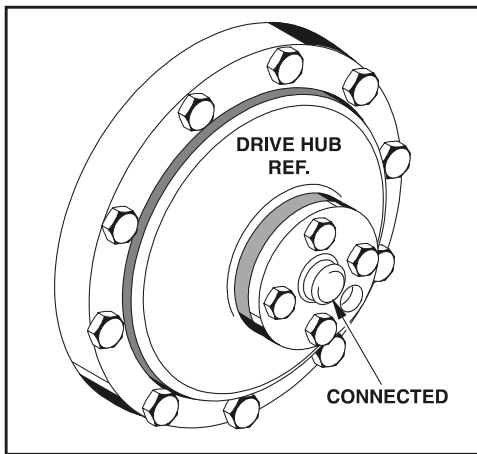


Figure 2-24. Pressure Adjustment Locations (4 W/S)

2. Activate machine hydraulic system from platform control station.
3. Start the Engine and place Engine Speed and Drive Speed control switches to their respective "LOW" positions.
4. Depress the Enable switch and activate Drive controller to "FORWARD" position.
5. Using a suitable lifting equipment lift front of machine up and place a 20 cm (8 in.) high block under left front wheel.
6. With the drive controller activated and engine at idle, crack open both fittings at lockout cylinder, one at a time, and close when all air is dissipated (bled).
7. Using a suitable lifting device lift front of machine and remove the block.
8. Transfer the block to right front wheel and repeat steps 1 through 6, substituting the word "right" for "left" in steps 5.

**NOTE:** After lockout cylinders are bled be sure to engage drive hubs before removing stop block from rear wheels.



**Figure 2-25. Drive Hub Connect**

9. To check lockout cylinder after bleeding, refer to Section 2.22, Lockout Cylinder Check.

## **2.22 LOCKOUT CYLINDER CHECK**

**NOTE:** Ensure platform is completely lowered prior to beginning lockout cylinder check.

1. Place a 20 cm (8 in.) high block with ramp in front of left front wheel.
2. Activate machine hydraulic system from platform control station.

3. Place Engine Speed and Drive Speed control switches to their respective "LOW" positions.
4. Place Drive controller to "FORWARD" position and carefully drive machine up ascension ramp until left front wheel is on top of 20 cm (8 in.) high block.
5. Raise machine platform approximately 0.6 meters (2 ft.); ensure lockout cylinder cam valve is free of sizzor arm trip bar.
6. Place drive controller to "REVERSE" position and carefully drive machine off block and ramp.
7. Have an assistant check to see that left front wheel remains locked in position off the ground.
8. Lower machine platform; lockout cylinder should then release the wheel and allow it to rest on the ground.
9. Transfer the block to front of right front wheel and repeat steps 1 through 8, substituting the word "right" for "left" in steps 1, 4 and 7.
10. If lockout cylinder does not function properly, have qualified personnel correct the malfunction prior to any further operation.

## **2.23 PISTON DRIVE MOTOR**

### **Disassembly**

1. Clean outside of unit thoroughly.
2. Clamp drive shaft in a protected jaw vise with back plate end up.
3. Remove six cap screws from back plate.
4. Use a plastic mallet and tap the back plate to loosen it.
5. Remove o-ring from back plate.
6. Remove complete piston block assembly from housing assembly.
7. Remove piston assemblies, spider, and pivot from piston block assembly.
8. The piston block assembly need not be disassembled unless pins or spring are damaged.

## SECTION 2 - PROCEDURES

### **CAUTION**

THE FOLLOWING PROCEDURE SHOULD BE USED IF THE SPRING IS TO BE REMOVED FROM THE PISTON BLOCK. THE SPRING IS HIGHLY COMPRESSED AND THE SNAP RING SHOULD NOT BE REMOVED WITHOUT COMPRESSING THE SPRING.

9. Disassemble the piston block as follows:

**NOTE:** The following parts will be needed to disassemble the piston block:

2 ea. 3/8 I.D. x 1-1/8 O.D. flat washers

1 ea. 3/8 x 3-1/4 N.C. cap screw

1 ea. 3/8 N.C. nut

- a. Place one of the flat washers over the 3/8 x 3-1/4 cap screw and place this through the center of the piston block.
  - b. Place the other washer over the cap screw and let it rest on the three pins.
  - c. Screw nut on cap screw and compress the spring inside the piston block.
  - d. Using a pair of snap ring pliers, remove internal snap ring.
  - e. Remove bolt, nut, and two washers.
  - f. Remove two washers, spring, three pins, and pin keeper.
10. Remove thrust race, shaft seal, washer, and drive shaft from housing.
  11. Remove two snap rings, thrust washers, and thrust bearing from drive shaft.

### Inspection

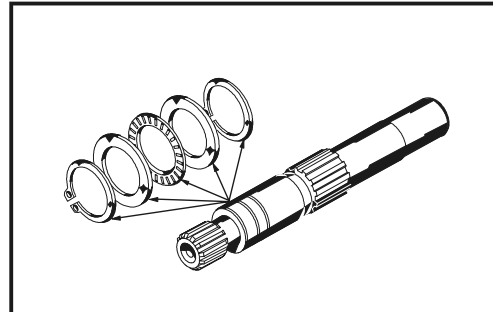
1. Wash all parts thoroughly in a suitable solvent.
2. Examine needle bearings in housing and back plate. If needles are free of excessive play and remain in bearing cage, there is no need to replace bearing.
3. Inspect thrust washers and thrust bearing. All surfaces should be free of any signs of wear or fretting.
4. Inspect spider and pivot. Conical surfaces should be free of wear and score marks.
5. Inspect pistons. The O.D. surface should be smooth and free of scoring. Shoes should be snug fit to piston. Face of shoes should be flat and free of scoring and flaking. Do not lap piston shoes.

6. Inspect piston block; bores should be free of scoring. Surface that contacts back plate should be smooth and free of grooves or metal build-up. Do not lap piston block.
7. Inspect thrust race; surface should show no signs of scoring or grooves.
8. Inspect flat surface on back plate; it should be free of excessive scoring or metal build-up. Do not lap back plate.
9. Inspect drive shaft for fretting in bearing areas. Check spline area for twisted or broken teeth. If keyed shaft, check for cracked or chipped keyway.

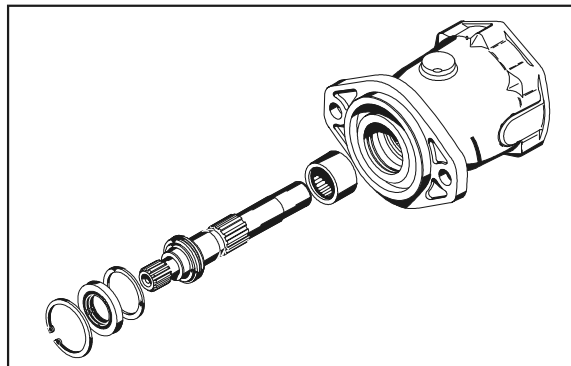
### Assembly

**NOTE:** Use filtered system oil to lubricate all critical moving parts before assembly.

1. Install one snap ring in rear groove of drive shaft. Install one thrust washer, thrust bearing, and second thrust washer on drive shaft. Install second snap ring in front groove on drive shaft.

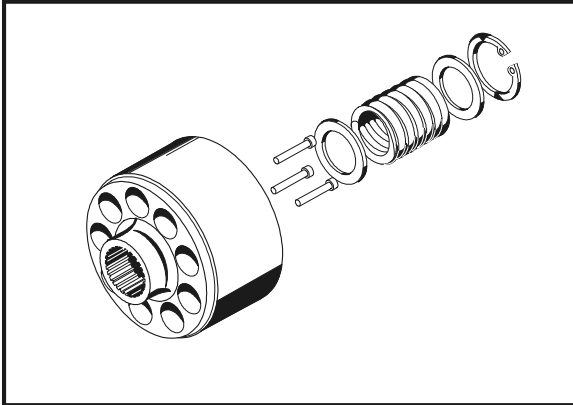


2. Replace needle bearing in housing if necessary. Install shaft in housing assembly and install washer. Oil I.D. of new shaft seal and press into position. Retain with snap ring.

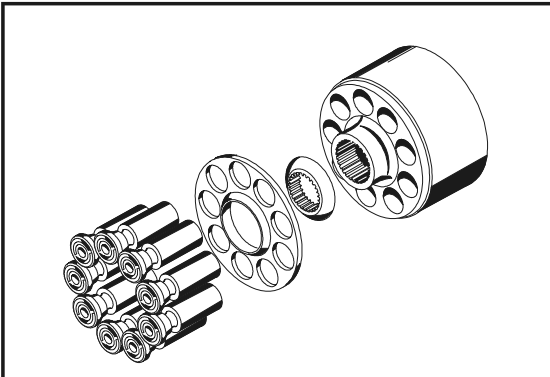


3. Compress pin keeper and install in spline area of piston block.

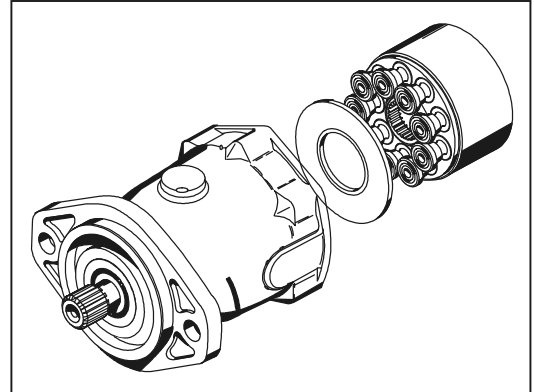
4. Install three pins in special grooves of spline with head end of pin toward inside of block.
5. Install one washer, spring, and second washer. Use two 3/8 I.D. washers, 3/8 N.C. nut and 3/8 x 3-1/4 cap screw to compress spring and retain with snap ring. Remove 3/8 N.C. nut, 3/8 x 3-1/4 cap screw and two washers.



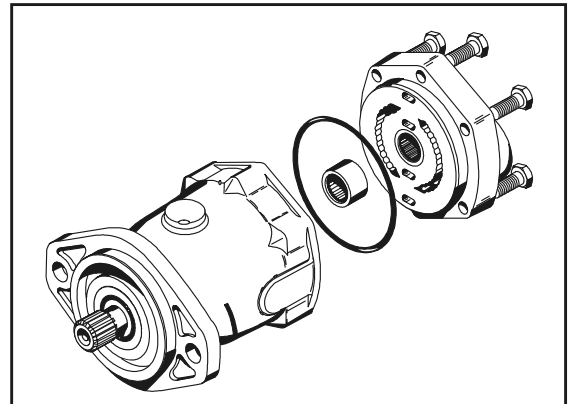
6. Install pivot, spider, and piston assemblies in piston block assembly.



7. Lubricate thrust race and install in housing assembly.



8. Install piston block assembly in housing assembly. Piston shoes must contact thrust race. Be sure all parts are in their proper position.
9. Install new needle bearing in back plate if necessary.
10. Install new o-ring on back plate.
11. Install back plate on housing.
12. Install six cap screws and torque to 20-24 Nm (15-18 ft lbs).



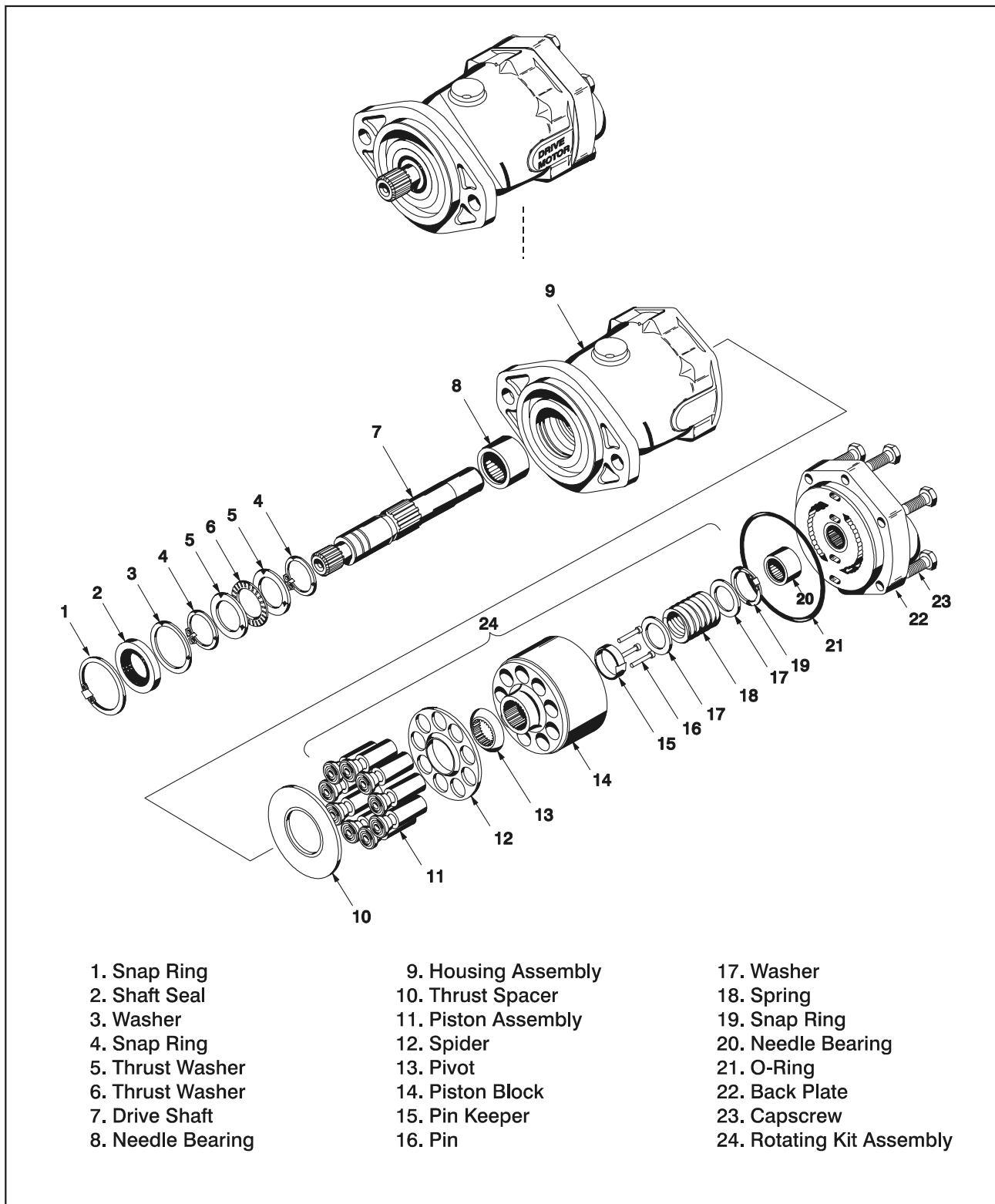


Figure 2-26. Piston Drive Motor

**2.24 DRIVE TORQUE HUB - 2WD/4WD REAR****⚠ IMPORTANT**

TORQUE HUB UNITS SHOULD ALWAYS BE ROLL AND LEAK TESTED BEFORE DISASSEMBLY AND AFTER ASSEMBLY TO MAKE SURE THAT THE UNIT'S GEARS AND SEALANTS ARE WORKING PROPERLY.

WHEN REBUILDING A UNIT, USE NEW SEALS AND O-RINGS. NEVER RE-USE SEALS AND O-RINGS, AS THIS WOULD CAUSE UNIT TO LEAK.

**Disassembly**

1. Turn hub over on to its side. Remove coupling from wide end of spindle.
2. Mark location of shoulder bolt holes on outside of ring gear and hub for easy re-alignment when rebuilding. Remove four shoulder bolts and twelve bolts from cover.
3. Remove sixteen flat washers from cover assembly.
4. Lift cover assembly off of ring gear, and set cover on table, interior side facing up.

**⚠ CAUTION**

BEWARE OF SHARP EDGES IN COUNTER BORE WHEN REMOVING O-RING.

5. Remove o-ring from counter bore around edge of cover. Discard o-ring.

**NOTE:** *If o-ring is not in cover counter bore, it is in ring gear counter bore. Remove o-ring from hub and discard it.*

6. If necessary, disassemble cover as follows:
  - a. Remove two bolts holding disconnect cap to cover .
  - b. Remove disconnect cap from on top of cover cap and cover.
  - c. Remove two bolts securing cover cap to cover. Remove cover cap.
  - d. Remove disconnect rod from cover cap.
  - e. Pry o-ring from groove inside cover cap. Discard o-ring.
  - f. Remove o-ring from flange of cover cap. Discard o-ring.
  - g. Remove pipe plug from cover.

7. Remove thrust washer from counter bore in top of carrier assembly.
8. Remove input gear from middle of carrier assembly .
9. Lift ring gear off of hub.
10. Lift carrier assembly out of hub.
11. If necessary, disassemble carrier assembly as follows:

**NOTE:** *When removing needle rollers from cluster gears, discard old needle rollers and use new ones during re-assembly.*

- a. Using a punch and hammer, drive roll pin into planet shaft.

**NOTE:** *If roll pin isn't driven all the way into the planet shaft, carrier could be damaged when planet shaft is removed from carrier.*

- b. Using a punch and hammer, drive planet shaft from carrier housing; one thrust washer, one cluster gear, and one more thrust washer will come off planet shaft and come to rest inside carrier. Remove these parts from inside carrier.

- c. Remove sixteen needle rollers from inside one end of cluster gear. Discard needle rollers.

- d. Repeat steps (a) through (c) to remove and disassemble two remaining cluster gears.

12. Remove thrust spacer from input shaft assembly in middle of spindle.
13. Lift input shaft assembly out of middle of spindle, and stand input shaft on its splined end.

**⚠ CAUTION**

WEAR SAFETY GLASSES WHEN PERFORMING STEP (14). BE AWARE THAT SPRING AND SPACERS COMPRESSED BY RETAINING RING MAY POP SUDDENLY OFF SHAFT WHEN RETAINING RING IS REMOVED.

14. Using retaining ring pliers, remove retaining ring from groove on input shaft.
15. Remove one spacer, one spring, and other spacer from input shaft.
16. Remove thrust washer from around spindle.
17. Lift internal gear out of hub.

## SECTION 2 - PROCEDURES

### **⚠ CAUTION**

**BEWARE OF SHARP EDGES IN COUNTER BORE WHEN REMOVING O-RING.**

18. Remove o-ring from counter bore in hub. Discard o-ring.
19. If necessary, disassemble hub-spindle assembly as follows:

**NOTE:** Start with large end of hub facing up, large end of spindle facing down.

### **⚠ CAUTION**

**WEAR SAFETY GLASSES WHILE PERFORMING STEP (A).**

- a. Remove retaining ring from around spindle in hub.
- b. Remove spacer from around spindle in hub.
- c. Set hub, small end/spindle facing down, up on something that will support hub's flange while it lifts hub up so spindle is not resting on anything. Carefully press or hammer spindle down out of hub. If seal and bearing cone come out of hub and rest on spindle, remove these parts from spindle and set them aside. Discard seal.
- d. If seal and bearing cone did not come out of small end of hub when spindle was pressed out of hub, remove seal and bearing cone from small end of hub. Discard seal.
- e. Bearing cone should be lying loose in wide end of hub. Remove bearing cone from inside hub.

**NOTE:** If hammer and punch are used to remove bearing cups, make sure counter bore is not struck with punch when removing bearing cup.

- f. Remove bearing cup from counter bore in small end of hub.
- g. Turn hub over and lift it out of flange-support. Remove bearing cup from wide end of hub.
- h. Press nine studs into stud holes in hub.

### **Roll Test**

The purpose of a roll test is to determine if the unit's gears are rotating freely and properly. Gears should be able to be rotated by applying a constant force to the roll checker. If more drag is felt in the gears only at certain points, then the gears are not rolling freely and should be examined for proper installation or defects. Some gear packages roll with more difficulty than others. Do not be concerned if gears seem to roll hard as long as they roll with consistency.

### **Leak Test**

The purpose of the leak test is to make sure the unit is air tight. The unit has a leak if the pressure gauge reading on the air checker starts to fall once the unit has been pressurized. Leaks will most likely occur at main seal or wherever o-rings or gaskets are located. The exact location of a leak can usually be detected by brushing a soap and water solution around the main seal and where o-rings or gaskets meet the exterior of the unit, then checking for air bubbles. If a leak is detected in a seal, o-ring, or gasket, the part must be replaced.

### **Assembly**

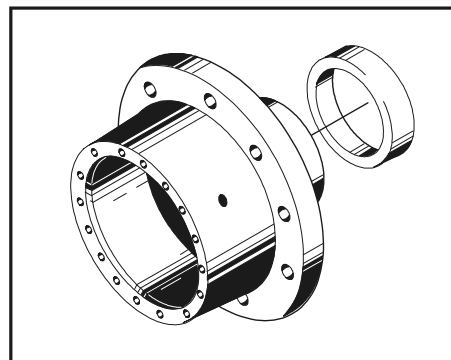
### **⚠ CAUTION**

**BEWARE OF SHARP EDGES IN COUNTER BORE WHEN INSTALLING O-RING.**

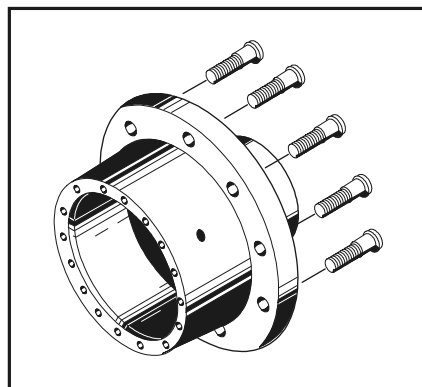
Assemble hub-spindle assembly as follows:

**NOTE:** Make sure cup sits square with counter bore before pressing.

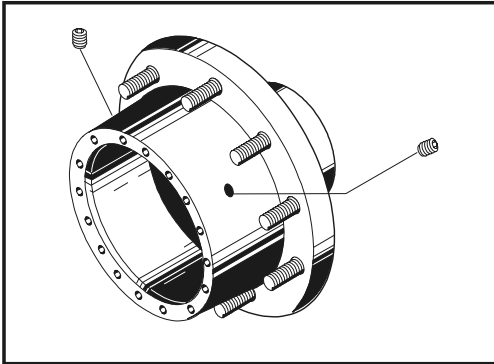
1. Set hub onto its large end. Press bearing cup into counter bore in small end of hub.



2. Press nine studs into stud holes in hub.

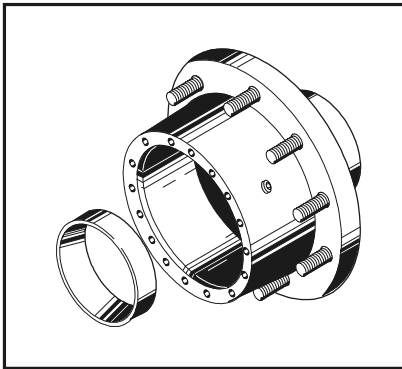


3. Apply a light coat of "Never-Seize" to two pipe plugs and tighten them into two pipe plug holes in side of hub.

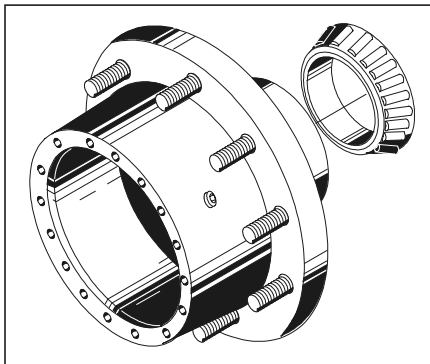


**NOTE:** Make sure cup sits square with counter bore before pressing.

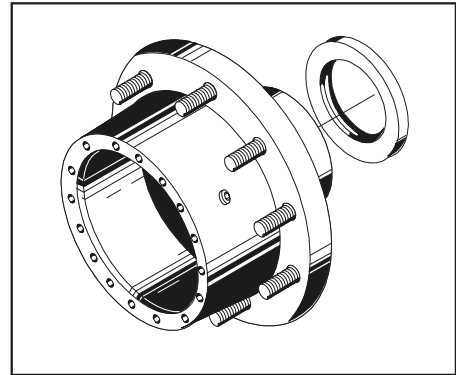
4. Turn hub over onto its small end. Press bearing cup down into counter bore in deep end of hub.



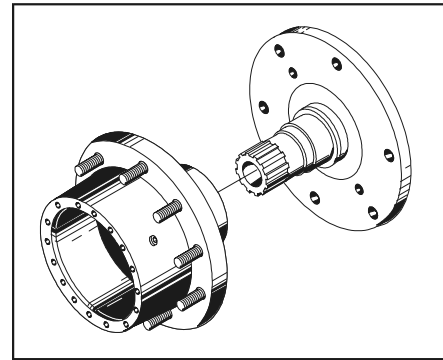
5. Set hub onto its large end. Place bearing cone into bearing cup.



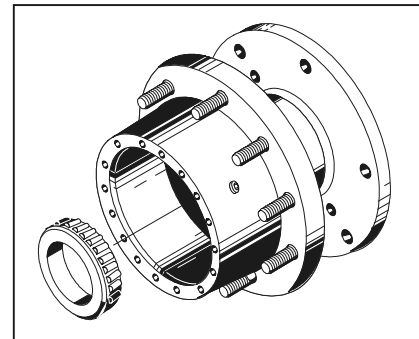
6. Press seal into small end of hub.



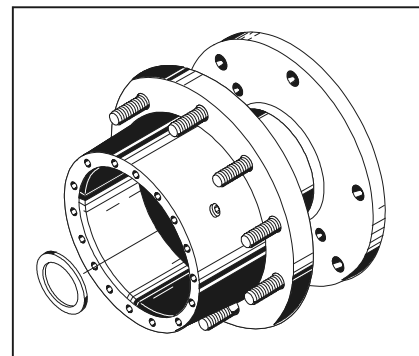
7. Oil spindle, then lower hub, small end down, onto spindle.



8. Press bearing cone onto spindle in hub.



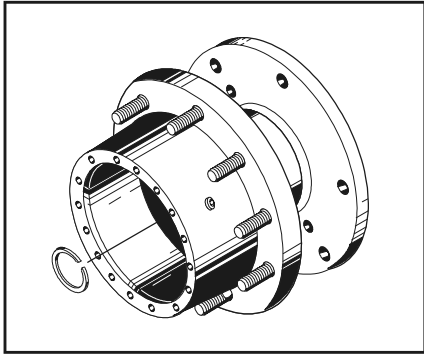
9. Place spacer onto spindle in hub.



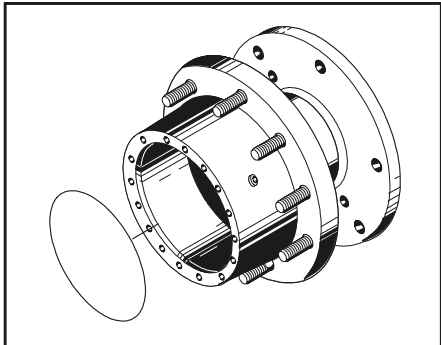
## SECTION 2 - PROCEDURES

**NOTE:** Make sure retaining ring is securely seated in groove in spindle.

10. Place retaining ring over spacer onto spindle in hub.

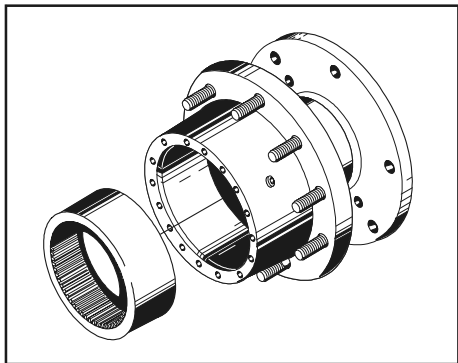


11. Grease o-ring and place it into counter bore in hub.

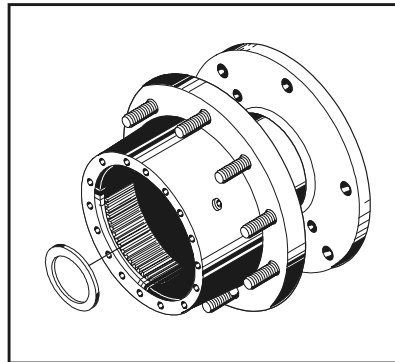


**NOTE:** O-ring may be stretched or pinched together to make it fit counter bore exactly.

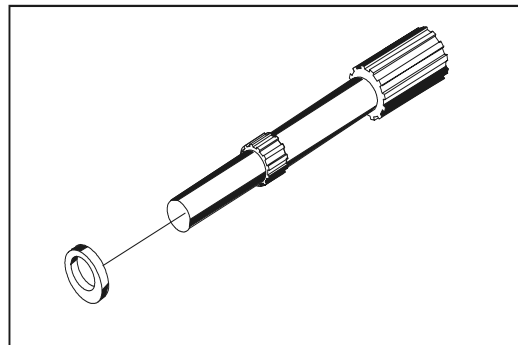
12. Oil all exposed surfaces inside hub.  
13. Place internal gear into hub so that its internal splines mesh with external splines of spindle. Oil internal gear.



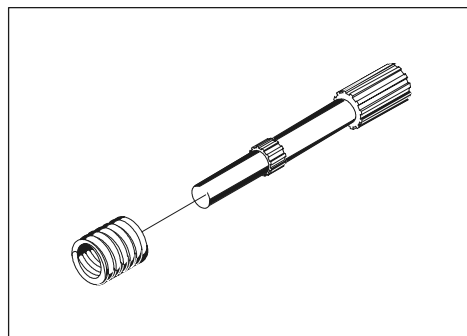
14. Place thrust washer around spindle so that it rests on bottom of internal gear.



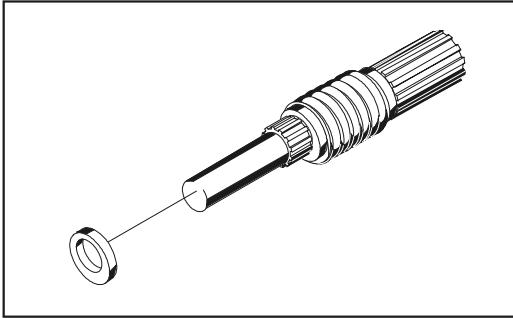
15. Stand input shaft on its splined end. Place one spacer onto smooth end of input shaft.



16. Place one spring onto smooth end of input shaft.



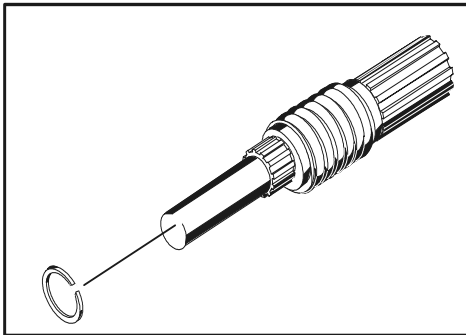
17. Place other spacer onto smooth end of input shaft.



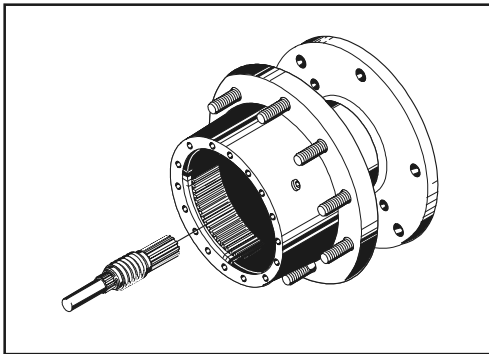
**CAUTION**

**SAFETY GLASSES MUST BE WORN DURING THE FOLLOWING STEP. BE AWARE THAT SPRING AND SPACERS, COMPRESSED BY RETAINING RING, MAY POP SUDDENLY OFF SHAFT IF RING IS RELEASED BEFORE IT IS PROPERLY IN PLACE.**

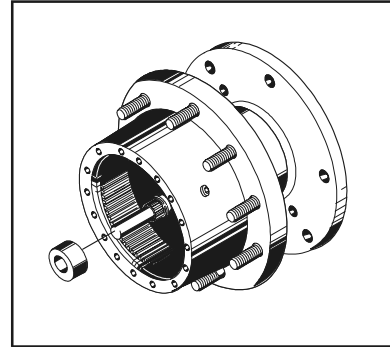
18. Using retaining ring pliers, insert retaining ring into groove on input shaft by compressing spring and spacers together.



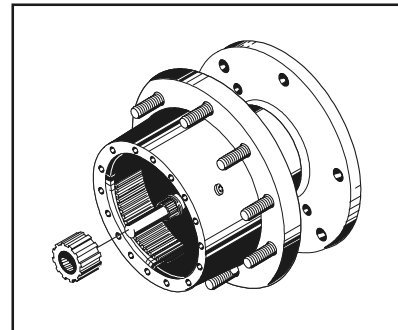
19. With large, splined end down, place input shaft assembly into spindle.



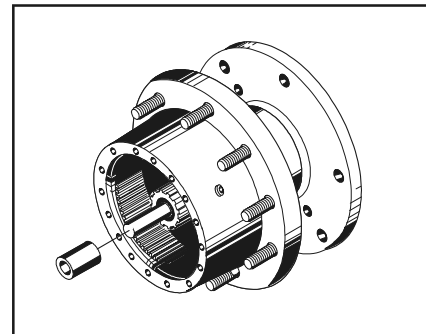
20. Place thrust spacer onto input shaft.



21. With internal splines facing up (counterbore end facing down), place input gear into mesh with input shaft sub-assembly.



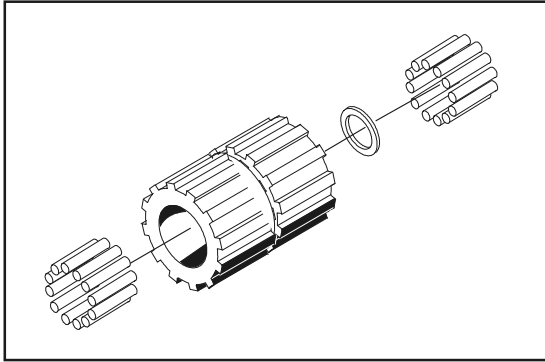
22. Place thrust spacer on top of input gear.



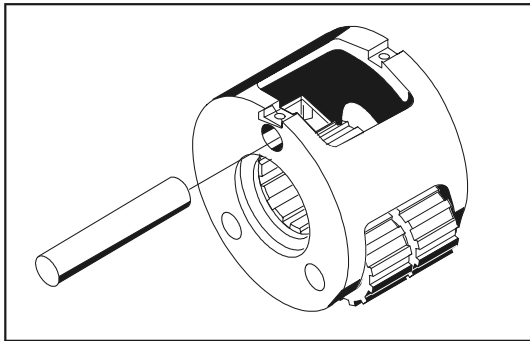
## SECTION 2 - PROCEDURES

### Assemble carrier as follows:

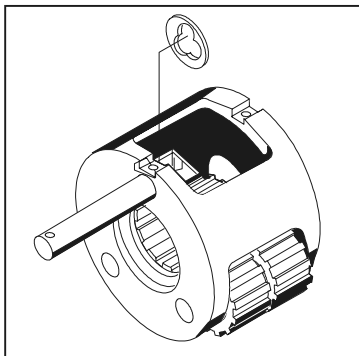
1. Apply grease to the inside of one cluster gear and line one half of cluster gear with 16 needle rollers.
2. Place one spacer inside cluster gear so that it rests on top of the needle rollers.
3. Line the remaining half of cluster gear with 16 needle rollers.



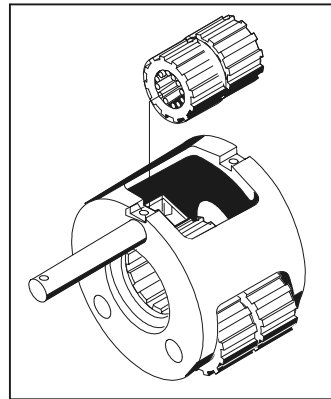
4. Set carrier housing on table, sideways. Insert a planet shaft, roll pin hole last, into one of the planet shaft holes from roll-pin-holed side of carrier housing.



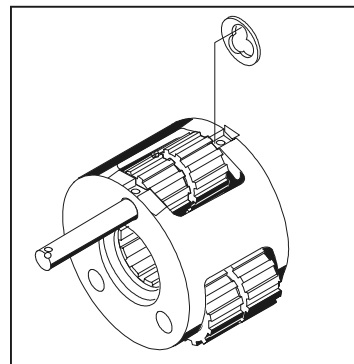
5. Place one thrust washer onto the end of planet shaft inside carrier. Fit tang of thrust washer into the slot on the inside edge of the planet shaft hole.



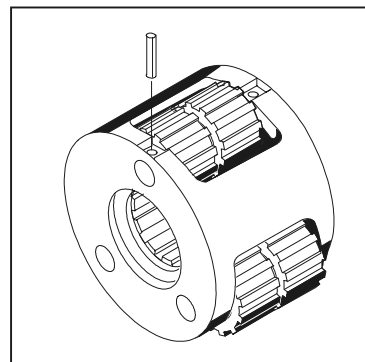
6. Following the thrust washer, place cluster gear, large end toward roll pin hole in carrier housing, onto planet shaft.



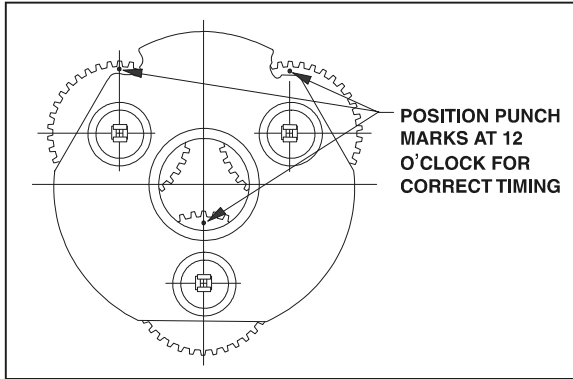
7. Following the cluster gear, place one more thrust washer onto planet shaft, fitting the tang of thrust washer into the slot on the inside edge of the planet shaft hole. Now insert shaft through the opposite planet shaft hole in carrier housing.



8. Use an alignment punch or similar tool to align the roll pin holes in carrier housing and planet shaft.
9. Drive roll pin down into the aligned roll pin holes in carrier housing and planet shaft.

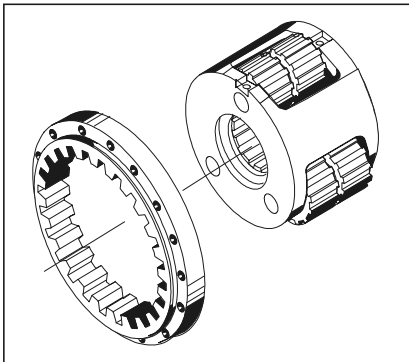


10. Repeat steps 1-9 to assemble and install the two remaining cluster gears.
11. Set carrier assembly on work surface so that large ends of cluster gears face up. Locate punch marks on face of each cluster gear and position them at 12 o'clock as shown in diagram below.

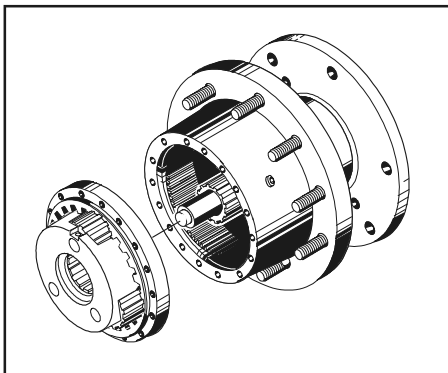


12. With "X-marked side facing up, place ring gear around cluster gears.

**NOTE:** This will hold punch marks in position while installing carrier into hub.

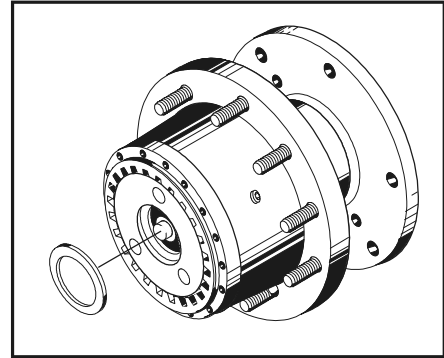


13. Place carrier assembly and ring gear together into mesh with internal gear, aligning "X"-marked shoulder bolt in ring gear over one of the shoulder bolt holes in hub. Mark location of shoulder bolt holes on outside of ring gear and hub.



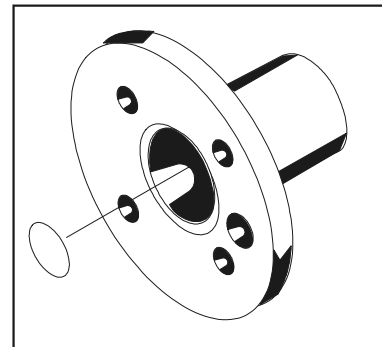
**NOTE:** Ring gear may be lifted off hub to align shoulder bolt holes. Ring gear and carrier were installed together only to keep punch marks on carrier in place.

14. Oil all exposed surfaces inside hub. Place thrust washer into counter bore in top of carrier assembly .

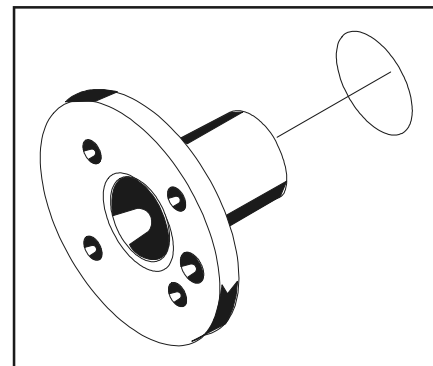


**Assemble cover as follows:**

1. Using disconnect rod, push o-ring into groove inside cover cap.

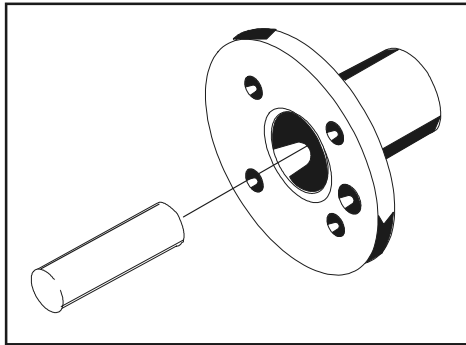


2. Place o-ring onto cover cap so it rests against flange of cover cap.

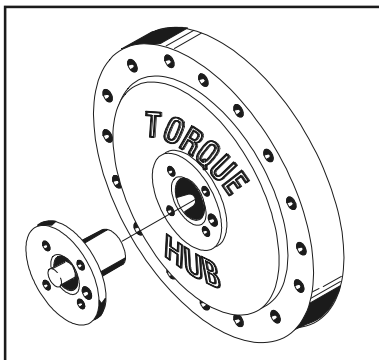


## SECTION 2 - PROCEDURES

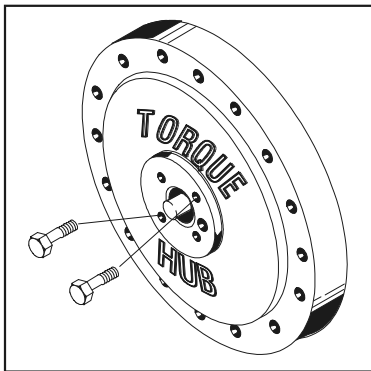
3. Insert disconnect rod into cover cap.



4. Set cover on table, exterior side up. Place cover cap onto cover, aligning pipe plug hole in cover cap over pipe plug hole in cover.

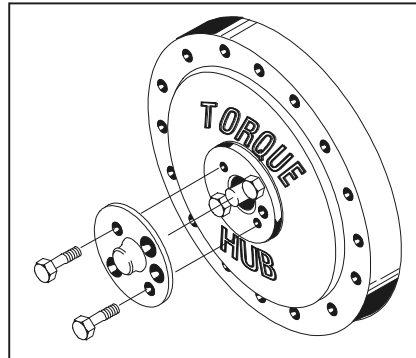


5. Place two cover cap bolts into any two bolt holes 180 degrees apart on cover cap, then tighten bolts.



6. Torque both bolts to 4 - 5 Nm (36 - 49 in. lbs.).  
7. With large end down, place disconnect cap onto cover cap, aligning pipe plug hole in disconnect cap over pipe plug hole in cover cap.

8. Place two remaining bolts into bolt holes in disconnect cap, and tighten bolts.

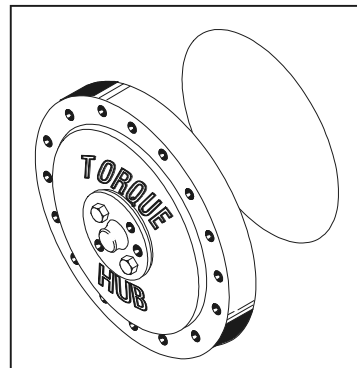


9. Torque both bolts to 4 - 5 Nm (36 - 49 in. lbs.).  
10. Apply a light coat of "Never-Seize" to pipe plug and tighten it into pipe plug hole in cover.

### **⚠ CAUTION**

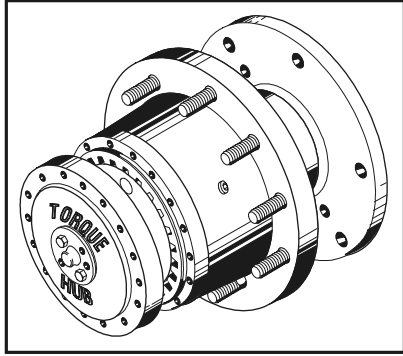
**BEWARE OF SHARP EDGES IN COUNTER BORE WHEN INSTALLING O-RING.**

11. Set cover assembly on table, interior side up. Grease o-ring and place it into counter bore around edge of cover.

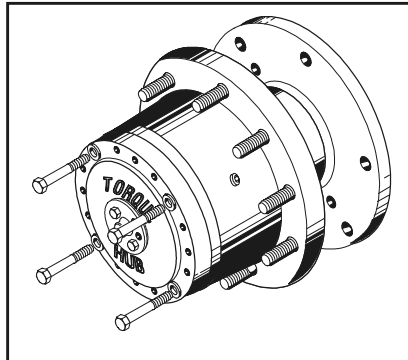


**NOTE:** O-ring may be stretched or pinched together to make it fit counter bore exactly.

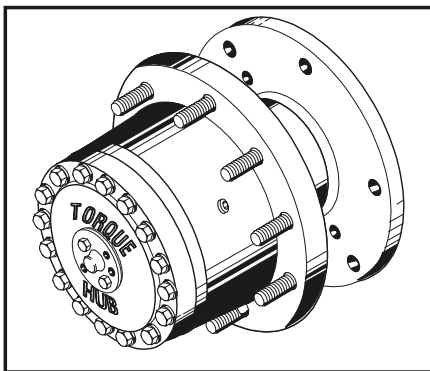
12. Place cover assembly onto ring gear, aligning pipe plug holes in cover and hub according to applicable assembly print. Also, make sure shoulder bolt holes in cover and ring gear are aligned.



13. Place four flat washers on top of bolt holes in cover assembly.
14. Place shoulder bolts into four shoulder bolt holes in cover and tighten by hand.



15. Place remaining twelve flat washers onto remaining bolt holes in cover.
16. Place twelve bolts into remaining bolt holes in cover and tighten.



17. Torque shoulder bolts to 25 - 34 Nm (18 - 25 ft. lbs.). Torque bolts to 25 - 34 Nm (18 - 25 ft. lbs.).

18. Turn hub over on to its side. Insert coupling into end of spindle.
19. Roll test unit in accordance with paragraph b in both clockwise and counterclockwise directions. Perform same number of turns in each direction as ratio of unit. Ratio is last two digits of model number on unit's ID tag. For example, if model number is W1BFF0335, then roll unit 35 times in each direction.
20. Leak test unit in accordance with paragraph c at a pressure of 0.4 bar (5 psi) for 2-3 minutes.

## 2.25 DRIVE TORQUE HUB/BRAKE - 4WD FRONT

### **⚠ IMPORTANT**

**TORQUE HUB UNITS SHOULD ALWAYS BE ROLL AND LEAK TESTED BEFORE DISASSEMBLY AND AFTER ASSEMBLY TO MAKE SURE THAT THE UNIT'S GEARS AND SEALANTS ARE WORKING PROPERLY.**

### Disassembly

1. Remove pipe plug from cover and drain oil from unit.
2. Inspect spindle/brake as follows:
  - a. Examine two brake ports on bottom of spindle/brake. Bottom of one is tapered and bottom of other one is flat. Install hydraulic line of a hand pump into flat brake port.
  - b. Install a bleeder valve into tapered brake port.
  - c. Insert roll checker into spindle/brake. If brake is not working properly, roll checker should not turn.
  - d. Set hand pump to "PUMP".
  - e. Increase hydraulic pressure in brake by pumping gradually. At the same time, try to turn roll checker. If brake is set correctly, roll checker should turn when pump pressure reaches 10-11 bar (140 - 160 psi).
  - f. Roll test brake in both clockwise and counterclockwise directions. Perform same number of turns in each direction as ratio of unit. This number is the same as the last two digits of the model number found on the unit's ID tag. For example, if unit's model number is W1BJ4U318, then it should be rolled 18 times in both directions.
  - g. Set hand pump to "RELEASE" and check to see if brake has reset itself. If brake has reset roll checker should not be able to turn.

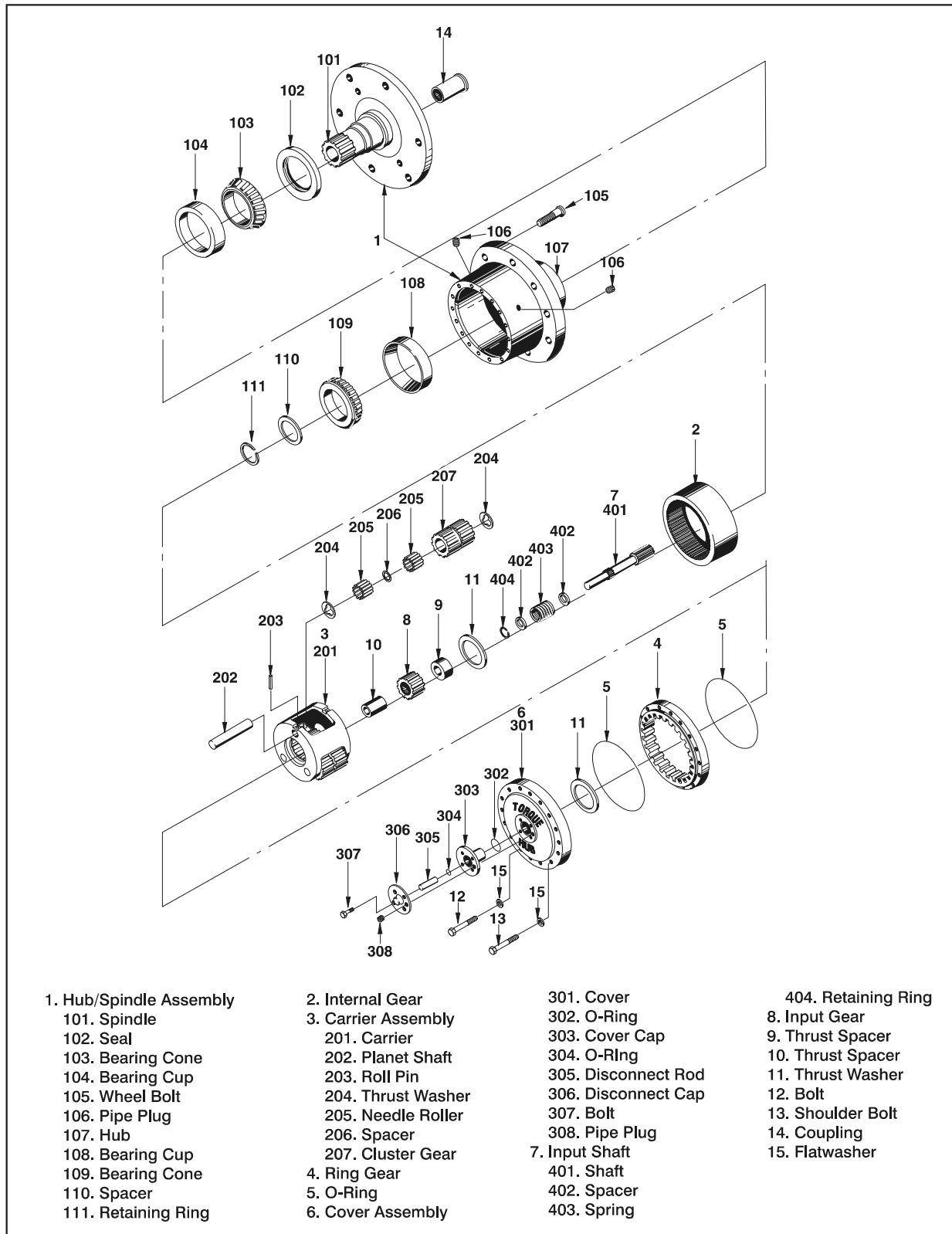


Figure 2-27. Drive Torque Hub - 2WD/4WD Rear

- h. Remove roll checker from spindle/brake.
- i. Remove hydraulic line from its brake port.
- j. Remove bleeder valve from its brake port.
3. Leak test unit at a pressure of 0.4 bar (5 psi) for 2 to 3 minutes.
4. Remove the twelve grade 8 bolts and four shoulder bolts from cover.
5. Remove flat washers from cover.
6. Remove cover from hub.
7. If necessary, disassemble cover as follows:
  - a. Remove pipe plug from cover if it has not already been removed.
  - b. Set cover down so that its open end faces up. Remove o-ring from counter bore in cover. Discard o-ring.
  - c. Turn cover over. Remove two bolts that hold disconnect cap in place.
  - d. Remove disconnect cap from cover.
  - e. Remove two remaining bolts that hold cover cap in place.
  - f. Remove cover cap from cover.
  - g. Remove disconnect rod from cover cap.
  - h. Remove o-ring from groove inside cover cap. Discard o-ring.
  - i. Remove o-ring from outside of cover cap. Discard o-ring.
8. Remove thrust washer from carrier assembly.
9. Remove thrust spacer from input shaft assembly).
10. Remove ring gear from mesh with carrier assembly.
11. Remove carrier assembly from hub.
12. If necessary, disassemble carrier assembly as follows:
  - a. Locate roll pin in carrier housing. Drive roll pin down into planet shaft until it bottoms against carrier housing. If roll pin is not completely driven into planet shaft, damage to carrier could occur when shaft is removed.
  - b. Drive roll pin out of planet shaft. Roll pin must come out through side of planet shaft that it originally went into.
  - c. Remove planet shaft from carrier housing. Two thrust washers and cluster gear will slide off.
  - d. Remove needle rollers and spacer from inside cluster gear.
  - e. Repeat steps (a) through (d) to remove two remaining cluster gears.
13. Remove input gear from input shaft assembly.
14. Remove thrust spacer from input shaft assembly.
15. Remove input shaft assembly from spindle/brake.
16. If necessary, disassemble input shaft as follows:
  - a. Remove retaining ring from input shaft. Discard retaining ring.
  - b. Slide spacer, spring, and other spacer off of input shaft.
17. Remove thrust washer from bottom of internal gear.
18. Remove internal gear from hub.
19. Remove o-ring from counter bore in hub. Discard o-ring.
20. Using a screwdriver or chisel and hammer, straighten out tang on lock washer which has been bent into notch in locknut.
21. Using an N-13 locknut wrench (tool no. T-141863), loosen locknut. Remove locknut from spindle/brake and discard.
22. Remove lock washer from spindle/brake and discard.
23. Remove tongued washer from spindle/brake.
24. Lift bearing cone out of hub.
25. Lift hub off of spindle/brake.
26. Using a slide hammer, remove seal from small end of hub. Discard seal.
27. Lift bearing cone off of spindle/brake.
28. Using a soft punch and hammer, remove bearing cup from deep end of hub.
 

**NOTE:** *When using punch, be very careful not to strike counter bore of hub where cup is located.*
29. Using a soft punch and hammer, remove bearing cup from shallow end of hub.
 

**NOTE:** *This cup can be reached by putting punch into small access hole in bottom of hub's deep end.*
30. Remove two pipe plugs from pipe plug holes in side of hub.
31. Remove two magnetic pipe plugs from pipe plug holes in flange of hub.
32. Hammer out nine studs.

### Roll Test

---

The purpose of a roll test is to determine if the unit's gears are rotating freely and properly. Gears should be able to be rotated by applying a constant force to the roll checker. If more drag is felt in the gears only at certain points, then the gears are not rolling freely and should be examined for proper installation or defects. Some gear packages roll with more difficulty than others. Do not be concerned if gears seem to roll hard as long as they roll with consistency.

### Leak Test

---

The purpose of the leak test is to make sure the unit is air tight. The unit has a leak if the pressure gauge reading on the air checker starts to fall once the unit has been pressurized. Leaks will most likely occur at main seal or wherever o-rings or gaskets are located. The exact location of a leak can usually be detected by brushing a soap and water solution around the main seal and where o-rings or gaskets meet the exterior of the unit, then checking for air bubbles. If a leak is detected in a seal, o-ring, or gasket, the part must be replaced.

### Assembly

---

1. Grease o-ring.
2. Place o-ring into counter bore in hub.

#### **⚠ CAUTION**

**BEWARE OF SHARP EDGES AND BURRS IN COUNTER BORE WHEN INSTALLING O-RING.**

**NOTE:** *O-rings may be stretched to fit counter bore. If an o-ring has been stretched too much, simply squeeze o-ring together bit by bit while placing it around counter bore. It can be made to fit exactly.*

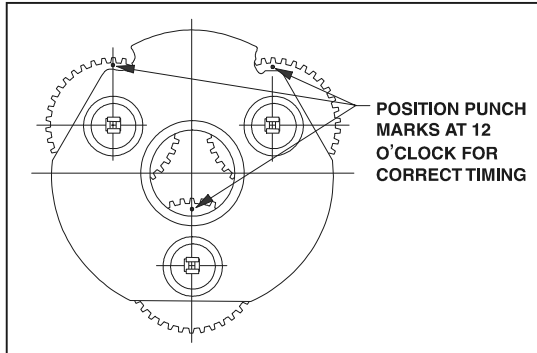
3. Oil exposed surfaces inside hub.
4. Mark four shoulder bolt holes on hub so for alignment with shoulder bolt holes in ring gear and cover.
5. Place internal gear into hub so its internal splines mesh with external splines of spindle/brake.
6. Oil internal gear.
7. Place thrust washer onto spindle/brake so it rests on bottom of internal gear.
8. Assemble input shaft as follows:
  - a. Place one spacer, spring, and other spacer, IN THAT ORDER, onto smooth end of shaft.

#### **⚠ CAUTION**

**SAFETY GLASSES SHOULD BE WORN DURING FOLLOWING PROCEDURE.**

- b. Place retaining ring onto input shaft. Using retaining ring pliers, insert retaining ring into groove on input shaft by compressing spring and spacers together.
9. With large, splined end down, place input shaft assembly into spindle/brake.
10. Place thrust spacer onto input shaft.
11. With internal splines facing up, place input gear into mesh with input shaft assembly.
12. Assemble carrier as follows:
  - a. Apply grease to inside of one cluster gear.
  - b. Line one half of cluster gear with 16 needle rollers.
  - c. Place one spacer inside cluster gear so it rests on top of needle rollers.
  - d. Line remaining half of cluster gear with 16 needle rollers.
  - e. Insert a planet shaft into one of the planet shaft holes in the carrier housing which has a roll pin hole. End of planet shaft that does not have a roll pin hole should be inserted into carrier housing first.
  - f. Place one thrust washer onto end of planet shaft which has been inserted through planet shaft hole. Notice that thrust washer has a tang on it. Tang should point straight so as to fit in slot on inside edge of planet shaft hole.
  - g. Following thrust washer, place cluster gear, with needle rollers, onto planet shaft. Large end of cluster gear should go onto shaft first.
  - h. Following cluster gear, place one more thrust washer onto planet shaft. Align thrust washer in same manner as described in step (f).
  - i. Insert planet shaft through opposite planet shaft hole in carrier housing. Use an alignment punch or similar tool to align roll pin holes in carrier housing and planet shaft.
  - j. Drive roll pin down into aligned roll pin holes.
  - k. Repeat steps (a) through (j) to install two remaining cluster gears.

13. Set carrier assembly on work surface so that large end of cluster gears face up. Locate punch marks on face of each cluster gear and position them at 12 o'clock as shown in diagram below.



14. With squared shoulder side down, place internal gear into mesh with cluster gears in carrier. If ring gear is on correctly, the "X" marking a shoulder bolt hole should face up.

**NOTE:** Make sure punch marks on cluster gears remain in their correct positions when installing ring gear.

15. Place carrier assembly and ring together into mesh with internal gear. Align shoulder bolt hole in ring gear marked with an "X" over one of the shoulder bolt holes in the hub.

**NOTE:** Ring gear may be lifted off hub to align shoulder bolt holes. Ring gear and carrier need to be installed together initially only so that punch marks on carrier remain aligned.

16. Oil all exposed surfaces inside hub.
17. Place thrust spacer onto input shaft assembly.
18. Place thrust washer into counter bore in carrier
19. Assemble cover as follows:
  - a. Place o-ring onto cover cap so it rests against flange of cover cap.
  - b. Insert o-ring into groove inside cover cap.
  - c. Insert disconnect rod into cover cap.
  - d. Place cover cap into cover. Align pipe plug hole in cover cap over pipe plug hole in cover.
  - e. Place two cover cap bolts into any two bolt holes 180 degrees apart on cover cap and tighten.
  - f. Using a torque wrench, apply 4- 5 Nm (36 to 49 in. lbs) torque to both bolts.
  - g. With large end down, place disconnect cap onto cover. Align pipe plug hole in disconnect cap over pipe plug hole in cover cap.
  - h. Place two remaining bolts into bolt holes in disconnect cap and tighten.

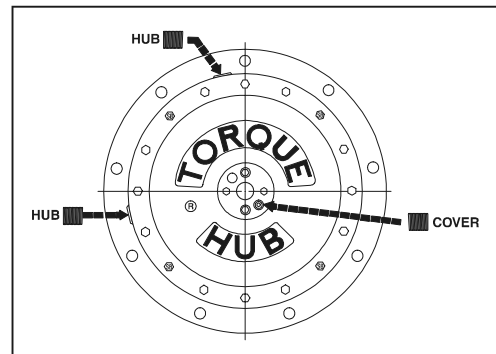
- i. Using a torque wrench, apply 4 - 5 Nm (36 - 49 in. lbs. ) torque to both bolts.
- j. Grease o-ring.
- k. Place o-ring into counter bore around edge of cover.

**CAUTION**

**BEWARE OF BURRS AND SHARP EDGES AROUND COUNTER BORE WHEN INSTALLING O-RING.**

**NOTE:** O-rings may be stretched to fit counter bore. If an o-ring has been stretched too much, simply squeeze o-ring together bit by bit while placing it around counter bore. It can be made to fit exactly.

- l. Apply a light coat of "never-seize" to pipe plug .
  - m. Tighten pipe plug into pipe plug hole in cover.
20. Place cover assembly onto ring gear. Align pipe plug holes in cover and hub. Make sure shoulder bolt holes in cover and ring gear are aligned.



21. Place sixteen flat washers on top of bolt holes in cover assembly.
22. Place shoulder bolts into four shoulder bolt holes in cover and tighten by hand.
23. Place grade 8 bolts into twelve bolt holes in cover and tighten.
24. Apply 25 - 35 Nm (18 - 25 ft. lbs.) of torque to all bolts.
25. Leak test unit at a pressure of 0.4 bar (5 psi) for 2-3 minutes.

## SECTION 2 - PROCEDURES

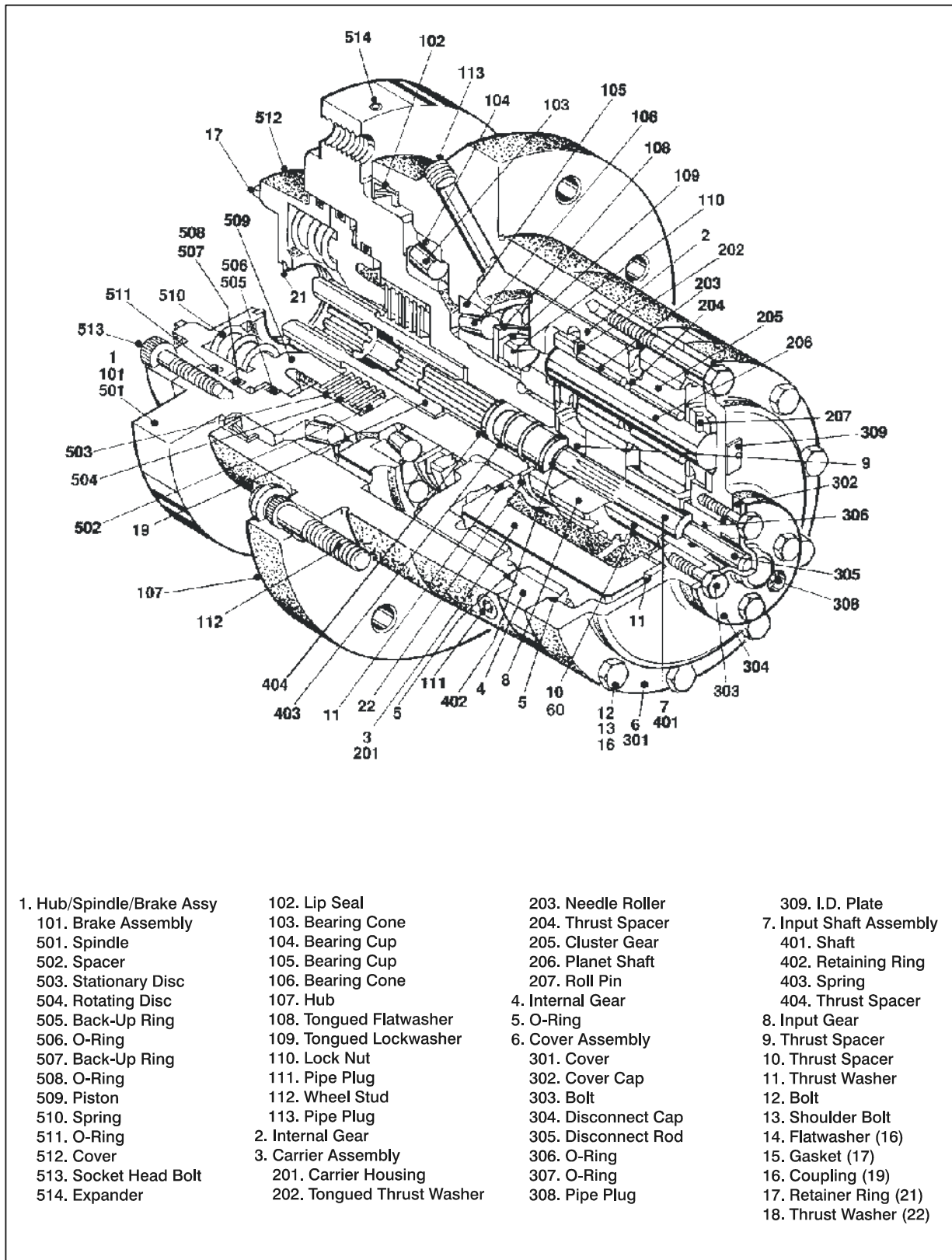


Figure 2-28. Drive Torque Hub/Brake - 4WD Front

## 2.26 DRIVE BRAKE - 2WD/2WS REAR

### Disassembly

1. Remove end cover from housing by removing washer head cap screws.

### **⚠ CAUTION**

END COVER IS UNDER SPRING TENSION OF APPROXIMATELY 2000 LBS. (907 KG.) THE FOUR WASHER HEAD CAP SCREWS SHOULD BE LOOSENED EVENLY TO RELIEVE THIS FORCE. IF A HYDRAULIC PRESS IS AVAILABLE 3000 LBS. MIN. (1361 KG MINIMUM), COVER CAN BE HELD IN POSITION WHILE REMOVING WASHER HEAD CAP SCREWS.

2. Remove case seal from housing, then remove bleeder screw from end cover.
3. Remove piston from end cover.
4. Remove o-ring, back-up ring, o-ring and back-up ring from piston.
5. Remove separators from housing.
6. Remove stack assembly, consisting of discs, return plate, and friction discs from housing.
7. Remove dowel pins, springs (5 & 6), and spring retainer from housing.

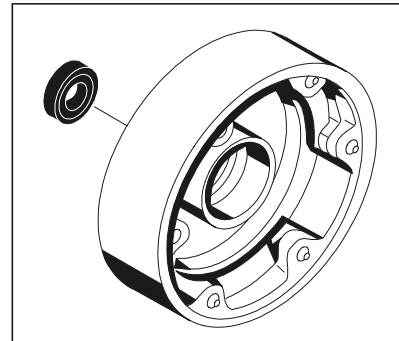
**NOTE:** Not all models use the same number of springs or spring pattern. Record this information for assembly purposes.

8. Remove retaining ring from housing.
9. Remove shaft by pressing or using a soft mallet on male end of shaft.
10. Remove retaining ring and bearing from shaft.
11. Press rotary oil seal from housing.

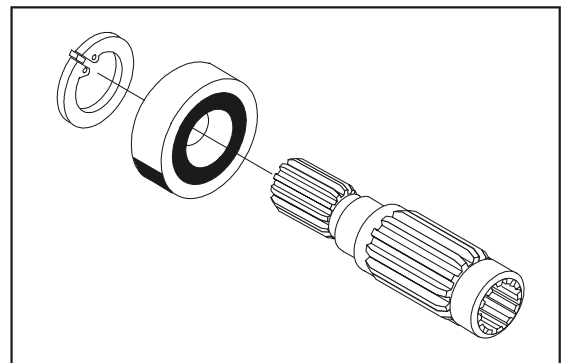
### Assembly

**NOTE:** Lubricate all rubber components from repair kit with clean hydraulic fluid of the type used in the system.

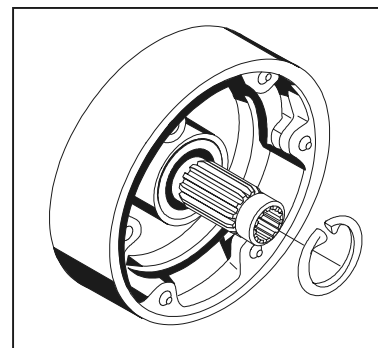
1. Clean all parts thoroughly before assembly.
2. Press new rotary oil seal into housing. Note direction of seal.



3. Install new bearing and retaining ring on shaft .



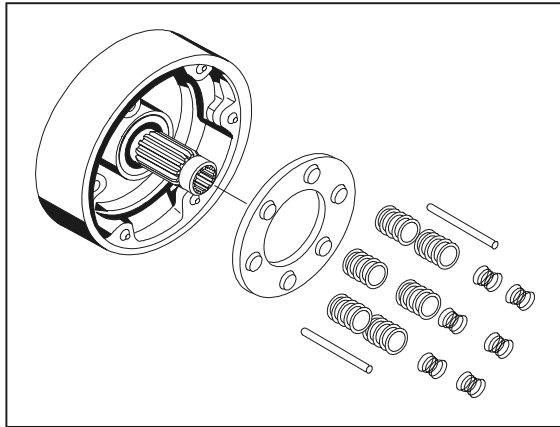
4. Insert shaft assembly and retaining ring in housing.



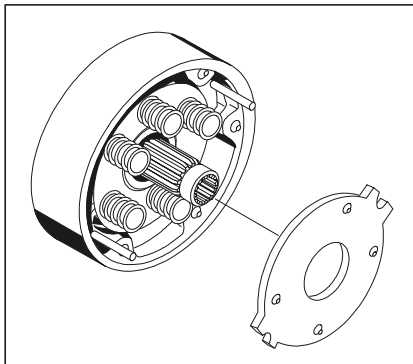
5. Insert dowel pins, spring retainer, and springs (5 & 6) in housing

## SECTION 2 - PROCEDURES

**NOTE:** Be sure to use the same number of springs and same spring pattern as recorded during disassembly.

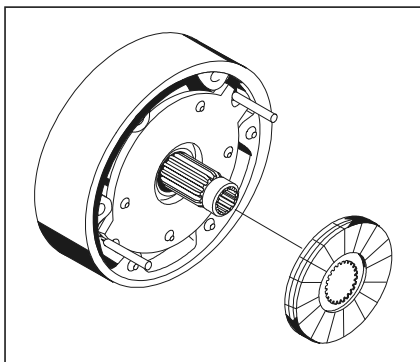


6. Position new large diameter return plate in housing with tabs guided by dowel pins until disc rests on springs.

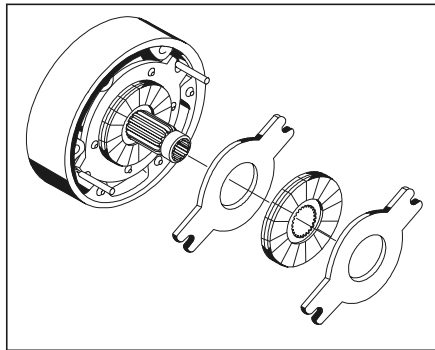


**NOTE:** Discs and friction discs should remain dry during installation. No oil residue should be allowed to contaminate disc surfaces.

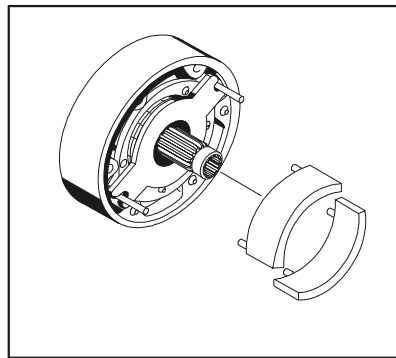
7. Place a new friction disc on shaft until it contacts return plate.



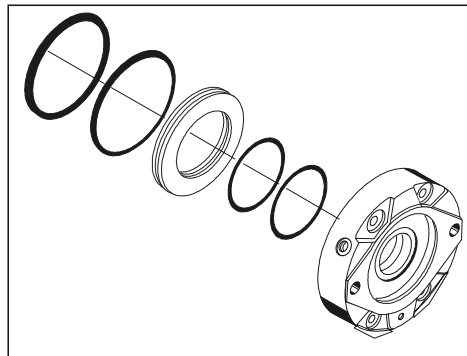
8. Add additional new discs and new friction discs as required to complete assembly.



9. Insert separators in holes of return plate.



10. Install new o-ring, new back-up ring, new o-ring, and new back-up ring on piston. Note order of o-rings and back-up rings. Insert piston into end cover, being careful not to shear o-rings or back-up rings.



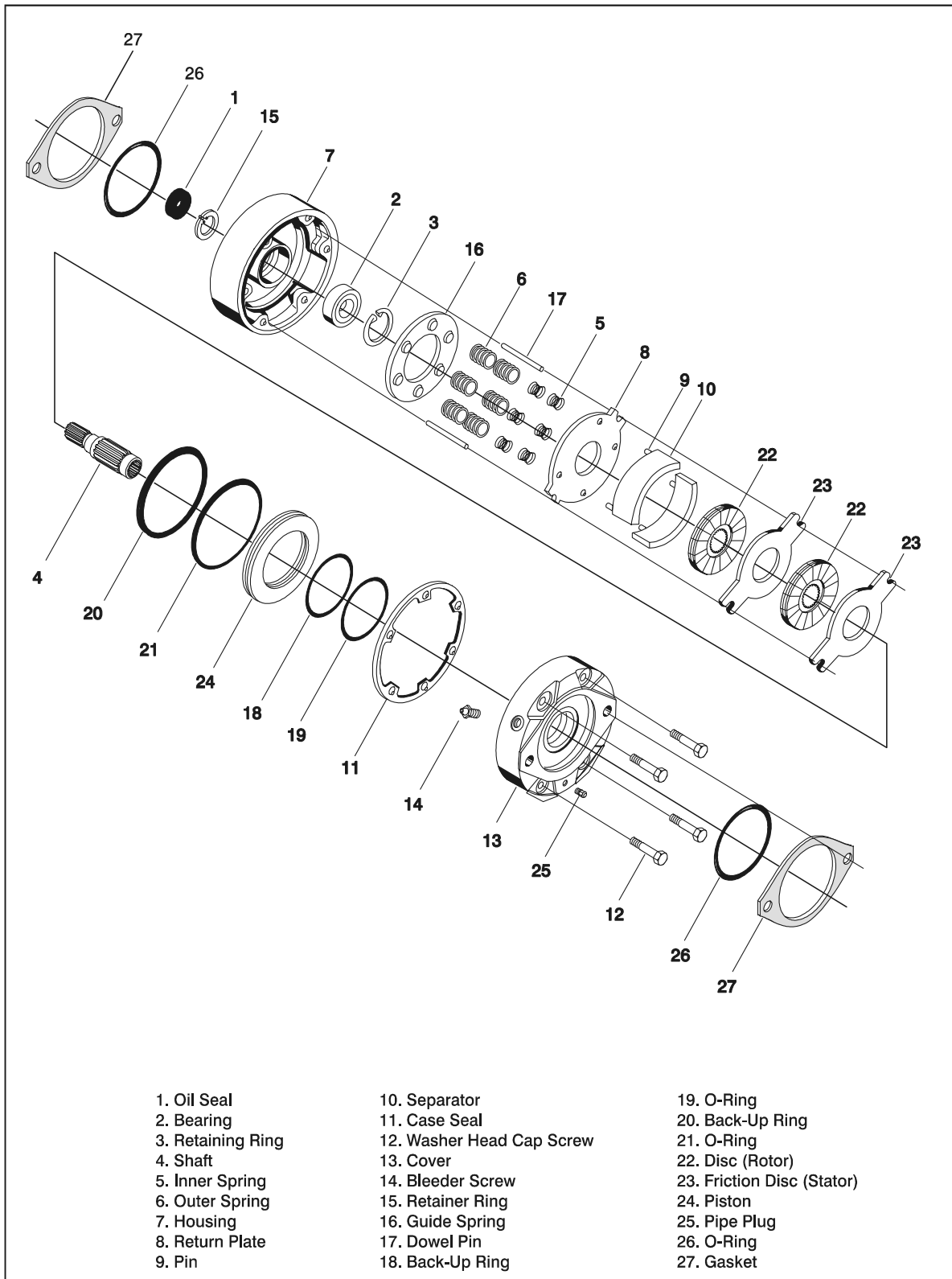
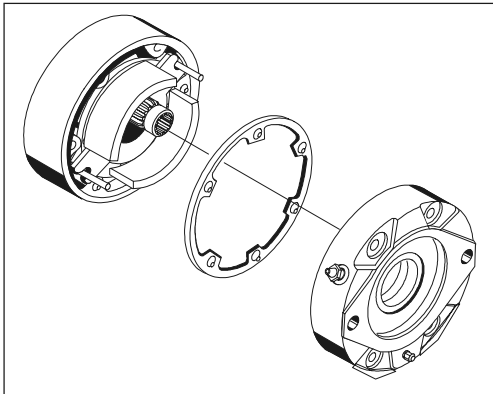


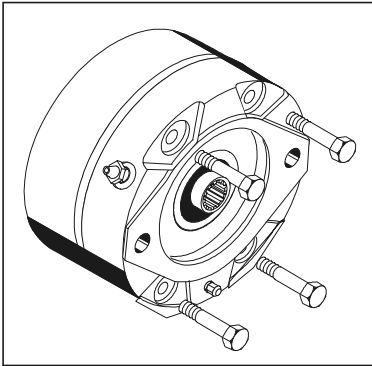
Figure 2-29. Drive Brake - 2WD/2WS

## SECTION 2 - PROCEDURES

11. Install case seal in housing, then install bleeder screw in end cover.



12. Position end cover on housing, aligning dowel pins with holes in end cover.



13. Install washer head cap screws and tighten evenly to draw end cover to housing. Torque washer head cap screws to 75 Nm (55 ft. lbs.).

**NOTE:** If available, a hydraulic press will simplify installation of end cover on housing. Clamp cover in position while tightening washer head cap screws.

14. If hydrostatic bench testing is done on brake assembly, release pressure should not exceed 2000 psi (138 bar) unless two additional bolts are used for supplemental clamping.

### 2.27 SPARK ARRESTOR MUFFLER

The multiple discs on these mufflers will require frequent cleaning if used with oily or sooty exhaust, such as a diesel engine, or on malfunctioning engines, as evidenced by visible exhaust.

### 2.28 DUAL FUEL/LPG SYSTEM

#### **⚠ CAUTION**

IT IS POSSIBLE TO SWITCH FROM ONE FUEL SOURCE TO THE OTHER WITHOUT ALLOWING THE ENGINE TO STOP. EXTREME CARE MUST BE TAKEN AND THE FOLLOWING INSTRUCTIONS MUST BE FOLLOWED.

#### **Changing From Gasoline to LP Gas**

1. Start engine from ground control station.
2. Open hand valve on LP gas supply tank by turning valve counterclockwise.

#### **⚠ CAUTION**

BE SURE ALL GASOLINE IS EXHAUSTED BEFORE SWITCHING TO LP GAS.

3. While engine is operating, place the three position LPG/GASOLINE switch at ground control station to center OFF position. Allow engine to operate, without load, until engine begins to “stumble” from lack of gasoline.
4. As engine begins to stumble, place switch to LPG position, allowing LP fuel to be sent to the fuel regulator.

#### **Changing From LP Gas to Gasoline**

1. With engine operating on LP under a no-load condition, throw LPG/GASOLINE switch at ground control station to GASOLINE position.
2. If engine “stumbles” because of lack of gasoline, place switch to LPG position until engine regains smoothness, then return switch to GASOLINE position.
3. Close hand valve on LP gas supply by turning clockwise.

#### **Using Liquid Petroleum (LP) Gas**

#### **⚠ WARNING**

CLOSE FUEL VALVE ON TANK WHEN PARKING SIZZOR LIFT MORE THAN MOMENTARILY.

WHEN REFUELING LPG POWERED SIZZOR LIFTS, ALWAYS FOLLOW MANUFACTURERS SPECIFICATIONS AND/OR APPLICABLE REGULATIONS.

1. If machine is to be left overnight or longer, it must be parked outside or the LPG tank removed and stored outside.

2. LPG is extremely flammable. No smoking.
3. Only trained and authorized personnel are permitted to operate filling equipment.
4. Fill LPG tanks outdoors. Stay at least 15 m (50 ft) from buildings, motor vehicles, electrical equipment or other ignition sources. Stay at least 5 m (15 ft) from LPG storage tanks.
5. During transfer of LPG, metal components can become very cold. Always wear gloves when refilling or changing tanks to prevent "freeze burns" to skin.
6. Do not store LPG tanks near heat or open flame. For complete instructions on the storage of LPG fuels, refer to ANSI/NEPA 58 & 505.

**⚠ WARNING**

DO NOT USE AN LPG TANK THAT IS DAMAGED. A DAMAGED TANK MUST BE REMOVED FROM SERVICE. FROST ON THE SURFACE OF A TANK, VALVES, OR FITTINGS INDICATES LEAKAGE. A STRONG ODOR OF LPG FUEL CAN INDICATE A LEAK.

## 2.29 FREEWHEELING FEATURE

**⚠ CAUTION**

RUNAWAY VEHICLE/MACHINE HAZARD. MACHINE HAS NO TOWING BRAKES. TOWING VEHICLE MUST BE ABLE TO CONTROL MACHINE AT ALL TIMES. ON-HIGHWAY TOWING NOT PERMITTED. FAILURE TO FOLLOW INSTRUCTIONS COULD CAUSE SERIOUS INJURY OR DEATH.

### To Disengage Torque Hubs (Freewheel)

1. Chock wheels securely.

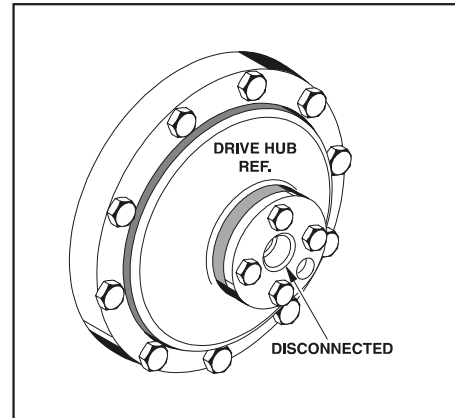


Figure 2-30. Drive Hub Disengaged

2. Disengage (reverse) disconnect caps on drive torque hubs by removing two attaching cap screws, turning cap around, then reinstalling and tightening cap screws.
3. If desired, remove chocks and using suitable equipment for assistance, move machine to an appropriate maintenance area. Again chock wheels securely.

### To Engage Torque Hubs

Engage (reverse) disconnect cap on both drive torque hubs by removing two attaching cap screws, turning cap around, then reinstalling and tightening cap screws.

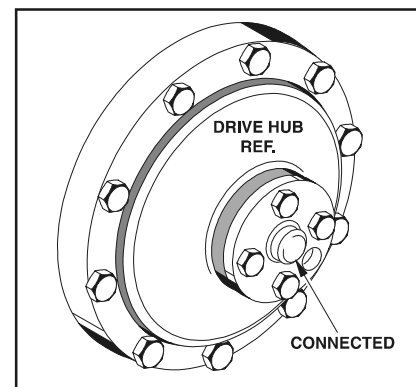


Figure 2-31. Drive Hub Engaged

### 2.30 PREVENTIVE MAINTENANCE AND INSPECTION SCHEDULE

The preventive maintenance and inspection checks are listed and defined in the following table. This table is divided into two basic parts, the "AREA" to be inspected and the "INTERVAL" at which the inspection is to take place. Under the "AREA" portion of the table, the various systems along with the components that make up that system are listed. The "INTERVAL" portion of the table is divided into five columns representing the various inspection time periods. The numbers listed within the interval column represent the applicable inspection code for which that component is to be checked.

The checks and services listed in this schedule are not intended to replace any local or regional regulations that may pertain to this type of equipment nor should the lists be considered as all inclusive. Variances in interval times may occur due to climate and/or conditions and depending on the location and use of the machine.

JLG Industries requires that a complete annual inspection be performed in accordance with the "Annual Machine Inspection Report" form. Forms are supplied with each new machine and are also available from JLG Customer Service. Form must be completed and returned to JLG Industries.

#### **IMPORTANT**

**JLG INDUSTRIES REQUIRES THAT A COMPLETE ANNUAL INSPECTION BE PERFORMED IN ACCORDANCE WITH THE "ANNUAL MACHINE INSPECTION REPORT" FORM.**

**NOTE:** *This machine requires periodic safety and maintenance inspections by a JLG Dealer. A decal located on the frame affords a place to record (stamp) inspection dates. Notify dealer if inspection is overdue.*

The inspection and maintenance code numbers are as follows:

1. Check for proper and secure installation.
2. Check for visible damage and legibility.
3. Check for proper fluid level.
4. Check for any structural damage; cracked or broken welds; bent or warped surfaces.
5. Check for leakage.
6. Check for presence of excessive dirt or foreign material.
7. Check for proper operation and freedom of movement.
8. Check for excessive wear or damage.
9. Check for proper tightness and adjustment.
10. Drain, clean and refill.
11. Check for proper operation while pump/motor is running.
12. Check for proper lubrication.
13. Check for evidence of scratches, nicks or rust and for straightness of rod.
14. Check for condition of element; replace as necessary.
15. Check for proper inflation.
16. Check Inspection Decal for current inspection stamp.

Table 2-3. Preventive Maintenance and Safety Inspection

AREA	INTERVAL				
	10Hours (Daily)	50 Hours (Weekly)	200 Hours (Monthly)	500 Hours (3 Month)	1000 Hours (6 Month)
<b>PLATFORM</b>					
1. Controller	1,11				
2. Switches	1,11				
3. Placards and Decals	1,2				
4. Control Tags	1,2				
5. Hoses and Cables		4,8			
6. Wear Pads			8		
7. Handrails and Chains	1,4				
<b>CHASSIS</b>					
1. Engine Oil	3	5			
2. Battery	3	5			
3. Air Cleaner	1	14			
4. Exhaust System	1		1,5		
5. Engine Mounts			1		
6. Hydraulic Pump	1	5			
7. Valves	1	5			
8. Hydraulic Filter (See Lubrication Chart)		5,14	14		
9. Hydraulic Hoses and Tubing	1	5			
10. Hydraulic Oil Tank*	3	5	4		
11. Hydraulic Tank Breather		6,14			
12. Fuel Tank	3,5		4		
13. Lift Cylinder	1,12	5,6,13	4		
14. Limit Switch	1,7				
15. Tilt Alarm Switch					1,7
16. Placards and Decals	1,2				
17. Wheel and Tire Assemblies	1	8,9			
18. Drive Motors		1,5,6			
19. Drive Brakes		1,6	8		
20. Drive Torque Hubs		1,3,5,6			
21. Steer Cylinder	1	5,6,13	4		
22. Steer Components	1	4,6	8		
23. Wheel Bearings (2 Wheel Drive)			8	12	
24. Sizzor Arms	1,4				
25. Safety Props	1,4				
26. Sliding Wear Pads			8		
27. Pivot Pins/Bolts	1,4		7,8		
28. Switches, Ground Control	1,11				
29. Control Tags	1,2				

\*Inspection and Maintenance Code 10 to be performed annually

**This page left blank intentionally.**

## SECTION 3. TROUBLESHOOTING

---

### 3.1 GENERAL

This section contains troubleshooting information to be used for locating and correcting most of the operating problems which may develop in the aerial platform. If a problem should develop which is not presented in this section or which is not corrected by listed corrective actions, technically qualified guidance should be obtained before proceeding with any maintenance.

Troubleshooting and maintenance information pertaining to the prime mover (engine/motor) that are not contained in this manual are contained in the applicable engine maintenance manual.

---

### 3.2 TROUBLESHOOTING INFORMATION

The troubleshooting procedures applicable to the aerial platform are listed and defined in Tables 3-1 through 3-4. As an aid to table use, the platform sizzor is divided into 4 major groups, each covered separately within this section. These groups are as follows: Platform, chassis, hydraulic system and electrical system.

Each malfunction within an individual group or system is followed by a listing of probable causes which will enable determination of the applicable remedial action. The probable causes and remedial action should, where possible, be checked in the order listed in the tables.

It should be noted that there is no substitute for a thorough knowledge of the equipment and related systems.

It should be recognized that the majority of the problems arising in the machine will be centered in the hydraulic and electrical systems. For this reason, every effort has been made to ensure that all likely problems in these areas are given the fullest possible treatment. In the remaining machine groups, only those problems which have more than one probable cause and remedy are included. This means that problems for which the probable cause and remedy may be immediately obvious are not listed in this section.

The first rule for troubleshooting any circuit that is hydraulically operated and electrically controlled is to determine if the circuit is lacking hydraulic oil and electrical power. This can be ascertained by overriding the bypass valve (mechanically or electrically) so that oil is available to the function valve, then overriding the function valve mechanically. If the function performs satisfactorily, the problem exists with the control circuit.

---

### 3.3 HYDRAULIC CIRCUIT CHECKS

The first reference for improper function of a hydraulic system, where the cause is not immediately apparent, should be the troubleshooting chart. The best place to begin the problem analysis is at the power source (pump) Once it is determined that the pump is serviceable, then a systematic check of the circuit components, beginning with the control, would follow. For aid in troubleshooting, refer to the Illustrated Parts Manual for hydraulic diagram of the various circuits.

## SECTION 3 - TROUBLESHOOTING

**Table 3-1. Platform Assembly - Troubleshooting**

TROUBLE	PROBABLE CAUSE	REMEDY
<b>No response to control switch</b>		
	Enable switch not activated	Activate enable switch
	Function not activated within the 3 seconds after enable switch was depressed	Reactivate enable switch
	Enable switch not functioning properly	Replace enable switch circuit card
	Lift control switch inoperative	Repair or replace lift control switch
	Hydraulic system oil low	Replenish oil as necessary
	No power supply	See wiring diagram
	Restricted or broken supply line on valve bank or hydraulic pump	Clean, repair or replace line
	Control valve not functioning properly	Repair or replace valve
	Defective dump valve on cylinder	Repair or replace dump valve
	Lift cylinder not functioning properly	Repair or replace lift cylinder
	Hydraulic pump not functioning properly	Repair or replace hydraulic pump
<b>Platform will not raise</b>		
	Enable switch not activated	Activate enable switch
	Function not activated within the 3 seconds after enable switch was depressed	Reactivate enable switch
	Enable switch not functioning properly	Replace enable switch circuit card
	Load capacity exceeded. (Personnel and/or equipment.)	Reduce load. (Refer to capacity placard.)
	Hydraulic system oil low	Replenish oil as necessary
	Broken or binding pivot pin	Repair or replace pivot pin
	Restricted or broken hydraulic line or fitting	Clean, repair or replace line or fitting
	Control valve not functioning properly	Repair or replace control valve
	Lift cylinder not functioning properly	Repair or replace lift cylinder
	Pump does not respond when lift control switch is moved to the up position	Refer to electrical troubleshooting table
	No electrical signal being sent to lift up control valve cartridge	Refer to electrical troubleshooting table
<b>Platform will not lower</b>		
	Enable switch not activated	Activate enable switch
	Function not activated within the 3 seconds after enable switch was depressed	Reactivate enable switch
	Enable switch not functioning properly	Replace enable switch circuit card
	Pump does not respond when lift control switch is moved to the down position	Refer to electrical troubleshooting table
	No electrical signal being sent to lift down control valve cartridge	Refer to electrical troubleshooting table
	Lift down control valve cartridge not functioning properly	Repair or replace lift down control valve cartridge
	Lift cylinder not functioning properly	Repair or replace lift cylinder

**Table 3-1. Platform Assembly - Troubleshooting**

<b>TROUBLE</b>	<b>PROBABLE CAUSE</b>	<b>REMEDY</b>
<b>Platform raises and lowers erratically</b>		
	Hydraulic system low	Replenish hydraulic oil as required
	Restricted or broken hydraulic line or fitting	Clean, repair or replace line or fitting
	Lack of lubricant on lift cylinder attach pins	Lubricate as required (Refer to lubrication chart)
	Counterbalance valve on lift cylinder improperly adjusted or not functioning properly	Replace valve
	Control valve not functioning properly	Repair or replace valve
	Sizzor arm pins not properly lubricated	Lubricate as necessary
	Worn seals in lift cylinder	Replace seals
	Cylinder not functioning properly	Repair or replace lift cylinder
<b>Platform drifts down</b>		
	Manual lowering valve not functioning properly	Repair or replace valve
	Worn seals in lift cylinder	Replace seals
	Holding valve on lift cylinder not functioning properly	Repair or replace holding valve
<b>High drive does not operate below set height</b>		
	Damaged wiring on limit switch	Repair or replace wiring
	Damage limit switch	Replace limit switch
	Flow control valve not functioning properly	Repair or replace flow control valve
	Flow control valve not properly set	Reset flow control valve

## SECTION 3 - TROUBLESHOOTING

**Table 3-2. Chassis Troubleshooting**

TROUBLE	PROBABLE CAUSE	REMEDY
<b>DRIVE SYSTEM</b>		
<b>No response to control</b>		
	Enable switch not activated	Activate enable switch
	Function not activated within the 3 seconds after enable switch was depressed	Reactivate enable switch
	Enable switch not functioning properly	Replace enable switch circuit card
	Hydraulic system oil low	Replenish oil as necessary
	Drive hubs disengaged	Engage hubs
	Controller not properly adjusted	Correctly adjust controller
	Hydraulic pump not functioning properly	Repair or replace pump
	Restricted or broken pump supply line	Clean, repair or replace line
	Restricted or broken line on valve bank	Clean, repair or replace line
	Drive motor(s) not functioning properly	Repair or replace motor(s)
	Damaged wiring on controller	Repair or replace wiring
	Controller not functioning properly	Repair or replace controller
	Drive brake not releasing	Determine cause and repair or replace brake
<b>Machine drives erratically</b>		
	Microswitch on controller improperly adjusted	Adjust microswitch on controller for proper operation
<b>Machine will not travel forward</b>		
	Enable switch not activated	Activate enable switch
	Function not activated within the 3 seconds after enable switch was depressed	Reactivate enable switch
	Enable switch not functioning properly	Replace enable switch circuit card
	Hydraulic system oil low	Replenish oil as necessary
	Restricted or broken hydraulic line or fitting	Clean, repair or replace line or fitting
	Controller not adjusted properly	Correctly adjust controller
	Control valve not functioning properly	Repair or replace valve
	Drive motor(s) not functioning properly	Repair or replace motor(s)
	Defective controller	Repair or replace controller
<b>Machine will not travel in reverse</b>		
	See: Machine will not travel forward	
<b>High speed function does not operate</b>		
	Loose or damaged wiring between controller and high speed switch	Ensure proper connection of wires. Using suitable test meter, perform continuity test on wiring between controller and switches. Repair or replace wires as necessary.
	Defective high speed control switch	Replace switch
	Loose or damaged wire in control box wire harness	Ensure proper connection of wire at the control switch. Using suitable test meter, perform continuity test on wire. repair or replace harness as necessary.

**Table 3-2. Chassis Troubleshooting**

<b>TROUBLE</b>	<b>PROBABLE CAUSE</b>	<b>REMEDY</b>
	Loose or damaged wire between platform and high speed solenoid	Ensure proper connection of wire at the platform and at the high speed solenoid. Using suitable test meter, perform continuity test on wire. repair or replace harness as necessary.
	High speed solenoid not functioning properly	Replace e solenoid
	Loose or damaged wires between high speed relay and high speed limit switch	Ensure proper connection of wires between high speed relay and high speed limit switch. Using suitable test meter, perform continuity test on wire. repair or replace harness as necessary.
	High speed limit switch not functioning properly	Repair or replace limit switch
	Loose or damaged wire in valve wiring harness	Ensure proper connection of wires at the terminal strip. Using suitable test meter, perform continuity test on wire. repair or replace harness as necessary.
<b>STEERING SYSTEM</b>		
<b>No response to control</b>		
	Enable switch not activated	Activate enable switch
	Function not activated within the 3 seconds after enable switch was depressed	Reactivate enable switch
	Enable switch not functioning properly	Replace enable switch circuit card
	Hydraulic system oil low	Replenish oil as necessary
	Damaged wiring on control switch or solenoid valve	See proper wiring diagram
	Controller not functioning properly	Replace controller
	Restricted or broken hydraulic line on valve bank or hydraulic pump	Clean repair or replace line
	Control valve not functioning properly	Repair or replace valve
	Steer cylinder not functioning properly	Repair or replace steer cylinder
<b>Machine hard to steer or steering is erratic</b>		
	Hydraulic system oil low	Replenish oil as necessary
	Restricted hydraulic line or fitting	Clean, repair or replace line or fitting
	Lack of lubrication	Lubricate as required (refer to lubrication chart)
	Restricted crossover relief valve (pressure low)	Clean or replace valve
	Steer system pressure low	Adjust pressure
	Bent steering linkage	Repair or replace linkage as required
	Hydraulic pump not functioning properly	Repair or replace pump
	Steer cylinder not functioning properly	Repair or replace cylinder
	Tire pressure low	Correct tire pressure
	Bent or seized spindle	Replace spindle
<b>Steering inoperative</b>		
	Damaged wiring on controller or solenoid valve	See proper wiring diagram
	Solenoid valve not functioning properly	Repair or replace valve
	Controller not functioning properly	Replace controller
	Relief valve improperly set or not functioning properly	Reset, repair or replace valves as required
	Steer cylinder not functioning properly	Repair or replace steer cylinder

## SECTION 3 - TROUBLESHOOTING

**Table 3-2. Chassis Troubleshooting**

TROUBLE	PROBABLE CAUSE	REMEDY
<b>Machine will not steer left or right</b>		
	Enable switch not activated	Activate enable switch
	Function not activated within the 3 seconds after enable switch was depressed	Reactivate enable switch
	Enable switch not functioning properly	Replace enable switch circuit card
	Wiring on controller is damaged	Repair or replace wiring
	Wiring on solenoid valve is damaged	Repair or replace wiring
	Coil in solenoid is damaged	Replace coil
	Bent cylinder rod	Repair or replace cylinder
	Damaged steer linkage	Repair or replace steer linkage
	Crossover relief valve stuck	Repair or replace crossover relief valve
	Pressure setting incorrect	Reset pressure setting
<b>Machine wanders; steering not firm</b>		
	Crossover relief valve set too low or not functioning properly	Reset, repair or replace valve as required
	Steer linkages loose	Tighten linkage
	Steer wheel toe-in not set properly	Adjust toe-in for 1/4 inch overall
	Spindle bushings badly worn	Replace bushings
	Spindle bushings too tight	Replace bushings
<b>OSCILLATING AXLE (IF EQUIPPED)</b>		
<b>Axle will not oscillate</b>		
	Defective lockout cylinder	Repair or replace cylinder
	Lockout valve sticking	Repair or replace valve
	Lack of lubrication on axle pin	Lubricate pin
	Lockout valve defective	Repair or replace valve
<b>Axle will not lock</b>		
	Air in lockout system	Bleed lockout system
	Defective lockout valve	Repair or replace valve
	Defective pressure reducing valve feeding lockout system	Repair or replace valve

**Table 3-3. Chassis Troubleshooting**

<b>TROUBLE</b>	<b>PROBABLE CAUSE</b>	<b>REMEDY</b>
<b>ENGINE</b>		
<b>Engine will not start</b>		
	Station power selector switch is not in required position	Actuate switch as required
	Circuit breaker open	Determine and correct cause. Reset circuit breaker
	Start lockout solenoid not working	Replace solenoid
	Start switch defective	Replace start switch
	Defective anti-dieseling solenoid on carburetor	Replace solenoid or carburetor
	Damaged wiring in ignition circuit (broken wire on starter)	repair or replace wiring
	Ignition switch not functioning properly	Replace switch
	Defective ignition module	Replace ignition module
	Ignition circuit shorted to ground	Repair circuit card as required
	Battery cable(s) not making contact	Clean and tighten cables
<b>Engine will not start (Ignition O.K.)</b>		
	No fuel	Replenish fuel as necessary
	Restricted or broken fuel line	Clean or replace line
	Battery defective or requires charging	Charge or replace battery as required
<b>Engine will not accelerate above low speed</b>		
	Damaged wiring on speed control switch on governor solenoid	Repair or replace wiring
	Speed control switch not functioning properly	Replace switch
	Defective precision governor (Ford)	Repair or replace governor
	Defective Adeco throttle actuator (Deutz)	Repair or replace actuator
	Governor not functioning properly	Repair or replace governor
	Defective electronic governor	Replace governor
<b>Engine will not decelerate below high speed</b>		
	See engine will not accelerate above low speed	

## SECTION 3 - TROUBLESHOOTING

**Table 3-4. Hydraulic System Troubleshooting**

TROUBLE	PROBABLE CAUSE	REMEDY
<b>Hydraulic pump noisy</b>		
	Air entering system through broken line or fitting	Repair or replace line or fitting
	Air bubbles in oil	Replenish oil as required
	Faulty pump coupler	Replace coupler
	Defective pump bearing	Repair or replace pump
	Oil filter(s) dirty	Clean and/or replace filter(s) as necessary
<b>Pump cavitating (Vacuum in pump due to oil starvation)</b>		
	Restricted suction line	Clean, repair, or replace line
	Oil in reserve low	Replenish oil to proper level
	Restricted reservoir air vent	Clean vent
	Oil viscosity too high	Drain system and replace with recommended oil (Refer to hydraulic oils)
	Leak in suction line or manifold	Repair or replace line or manifold as necessary
<b>System overheating</b>		
	Oil viscosity too high	Drain system and replace with recommended oil (Refer to hydraulic oils)
	Restricted or blocked hydraulic line	Repair or replace line
	Machine overloaded	Check weight in platform
	Main relief valve set too high	Reset valve as required
	Hydraulic system oil low	Replenish oil as necessary
<b>Pump not delivering oil</b>		
	Restricted suction line	Clean repair or replace line
	Air entering system through broken line or fitting (suction side)	Replace or repair line or fitting
	Oil level too low	Replenish oil to proper level
	Plugged strainer in tank	Clean strainer
	Pump coupling defective	Replace pump coupling
	Broken pump drive shaft	Repair or replace pump
<b>System pressure too low</b>		
	Main relief valve set too low	Reset valve as required
	Main relief valve stuck in open position	Clean, repair or replace valve (Check system oil for contamination)
	Hydraulic pump not functioning properly	Repair or replace pump
	Leak in component, line or fitting	Repair or replace component, line or fitting
	Scored valve spool; Scored cylinder	Replace valve; Replace cylinder
<b>System(s) operate erratically</b>		
	Sticking or binding valve spools, piston rod, etc	Clean, repair or replace components as required
	Hydraulic oil not at optimum operating temperature	Allow oil sufficient time to warm up
	Pump drive slipping	Repair or replace drive

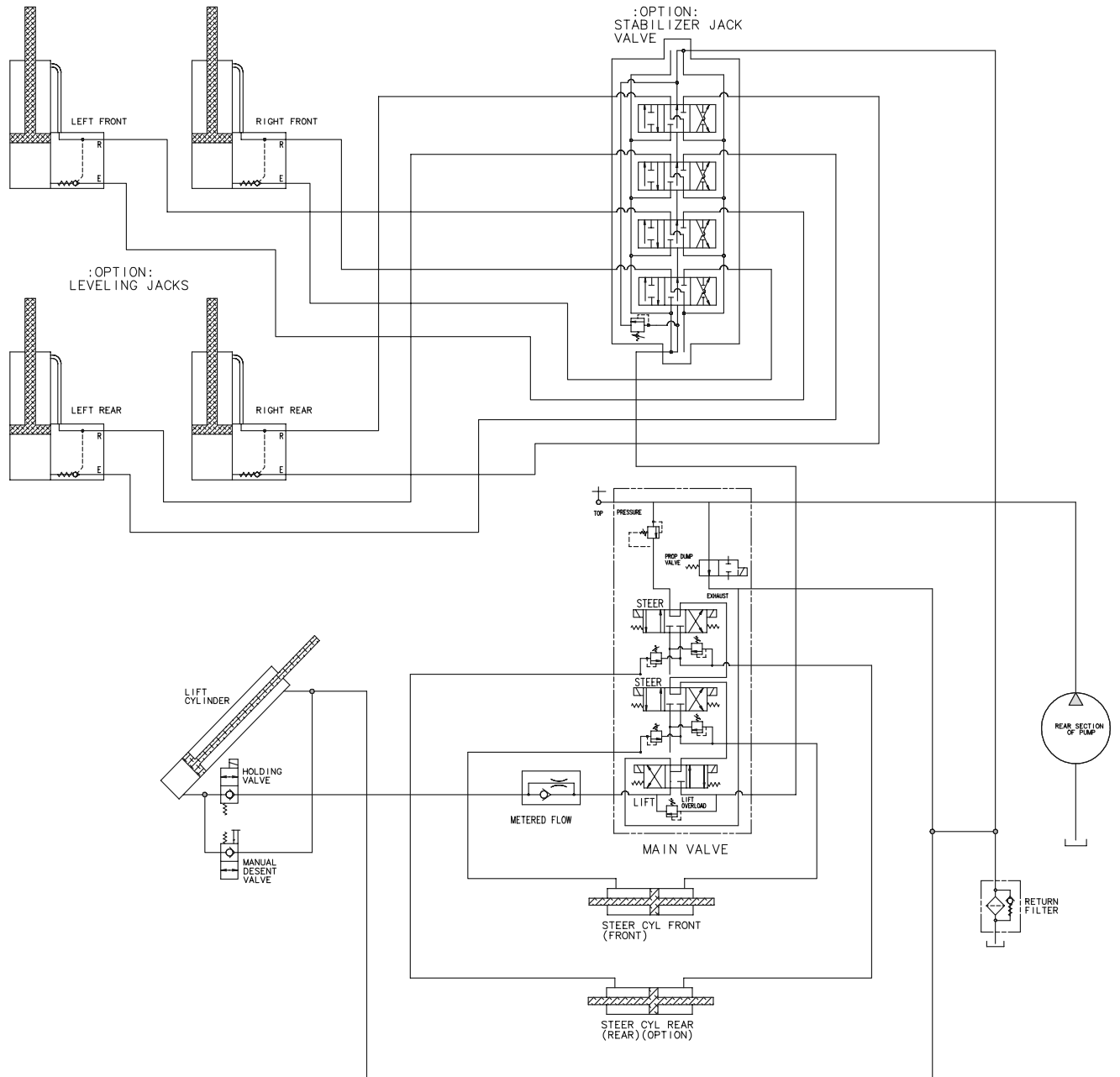
**Table 3-5. Electrical System Troubleshooting**

<b>TROUBLE</b>	<b>PROBABLE CAUSE</b>	<b>REMEDY</b>
<b>HAND CONTROLLER</b>		
Regardless of which way handle is moved, only one function occurs		
	Improper or loose wiring to the solenoid(s)	Check all wiring for proper connections
	Directional valve stuck in one direction	Repair or replace valve
Valve will not function when handle is moved in either direction		
	Enable switch not activated	Activate enable switch
	Function not activated within the 3 seconds after enable switch was depressed	Reactivate enable switch
	Enable switch not functioning properly	Replace enable switch circuit card
	No electrical power to handle	Check electrical input to hand controller (12V)
	No electrical power to valve	Check electrical output of printed circuit board and electrical signal at the valve
	Improper ground	Check for proper grounding of handle
	Defective controller	Repair or replace controller
	Microswitches on controller bad or need adjustment	Adjust or replace switches
<b>CONTROL SWITCHES</b>		
No response to a function control switch		
	Emergency stop switch not positioned properly	Place emergency stop switch to on
	Platform/Ground select switch not positioned properly	Place switch to platform or ground, as necessary
	Circuit breaker open	Determine and correct cause. Reset circuit breaker
	No voltage present at emergency stop switch	Check battery cable from battery to emergency stop switch for proper connection or damage. Repair or replace cable as necessary
	Emergency stop switch not functioning properly	Replace switch
	No voltage supplied to start relay from emergency stop switch	Check battery cable from switch to relay for proper connection or damage. Repair or replace cable as necessary
	No voltage input at terminal strip	Check wire from battery to terminal strip for proper connection or damage. Repair or replace cable as necessary
	No voltage present at circuit breaker	Check wire from terminal strip to battery for proper connection or damage. Repair or replace cable as necessary
	Defective circuit breaker	Replace circuit breaker
	No voltage present at Platform/Ground select switch	Unplug ground control box harness from platform receptacle. check wire from applicable pin in plug to control box power switch for proper connection. Using suitable test meter, perform continuity test on wire. Repair or replace harness as necessary

## SECTION 3 - TROUBLESHOOTING

**Table 3-5. Electrical System Troubleshooting**

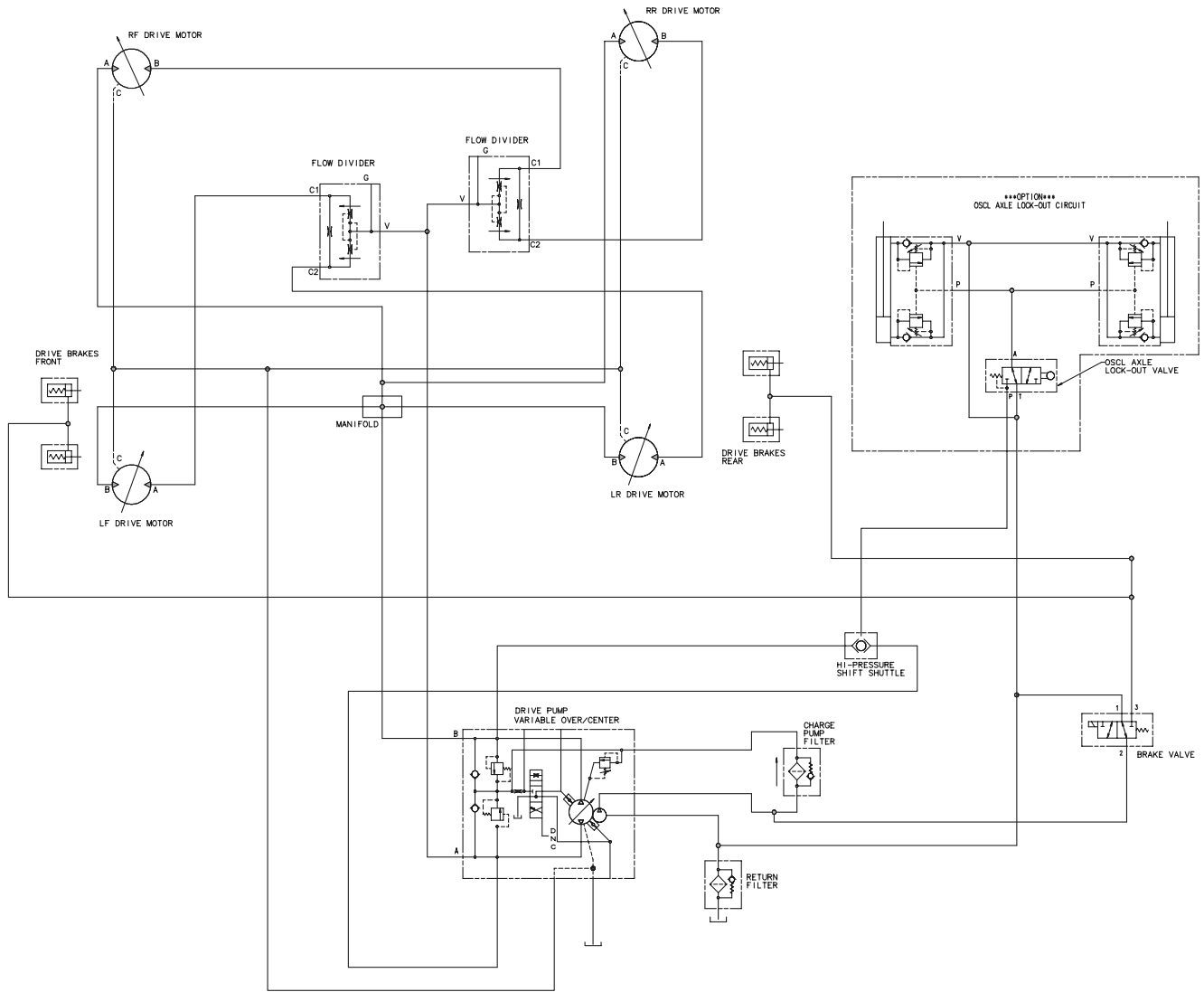
TROUBLE	PROBABLE CAUSE	REMEDY
	Defective Platform/Ground select switch	Replace Platform/Ground select switch
	No voltage present at function control switch	Check wiring from power switch to function control switch for proper connection or damage. Repair or replace wiring as necessary
	Defective function control switch	Replace function control switch
	No voltage present at applicable control valve coil	Check applicable wire for proper connection at terminal strip, valve harness plug pin, valve harness receptacle pin and valve coil. Using suitable test meter, perform continuity test on wire. Repair or replace harness as necessary
	No voltage supplied to motor from start relay	Check battery cable from relay to motor for proper connection or damage. Repair or replace cable as necessary
	Defective motor/pump assembly	Replace motor/pump assembly
<b>ENGINE STARTER SYSTEM</b>		
Engine will not crank		
	Discharged battery or loose battery terminals	Check and charge battery or replace battery as necessary. Clean and secure battery terminals
	Starter relay faulty or faulty relay connections	Using a test meter, check relay coil terminals for presence of electrical power and for energization of relay coil. Also check relay terminals for correct switching of contacts. Replace relay as necessary
	Malfunctioning starter solenoid or motor	Replace solenoid or motor in accordance with applicable manufacturer's manual
	Defective start lockout solenoid	Replace start lockout solenoid
	Malfunctioning ignition switch	Using a test meter, check ignition switch for correct switching of contacts. replace switch as necessary
	Faulty ignition and/or starter circuit wiring	Check wiring continuity. refer to wiring diagram
	Defective ring gear or flywheel	Replace ring gear
<b>INSTRUMENTS AND INDICATORS</b>		
Ammeter inoperative		
	Damaged wiring in circuits	Repair or replace wiring
	Ammeter not functioning properly	Replace ammeter
	Alternator not charging	Repair or replace alternator
Travel warning horn inoperative		
	Circuit breaker open	Determine and correct cause
	Damaged wiring in horn circuit	Replace horn
Hourmeter inoperative		
	Damaged wiring in hourmeter circuit	Repair or replace wiring
	Inoperative hourmeter	Replace hourmeter



2792368 A

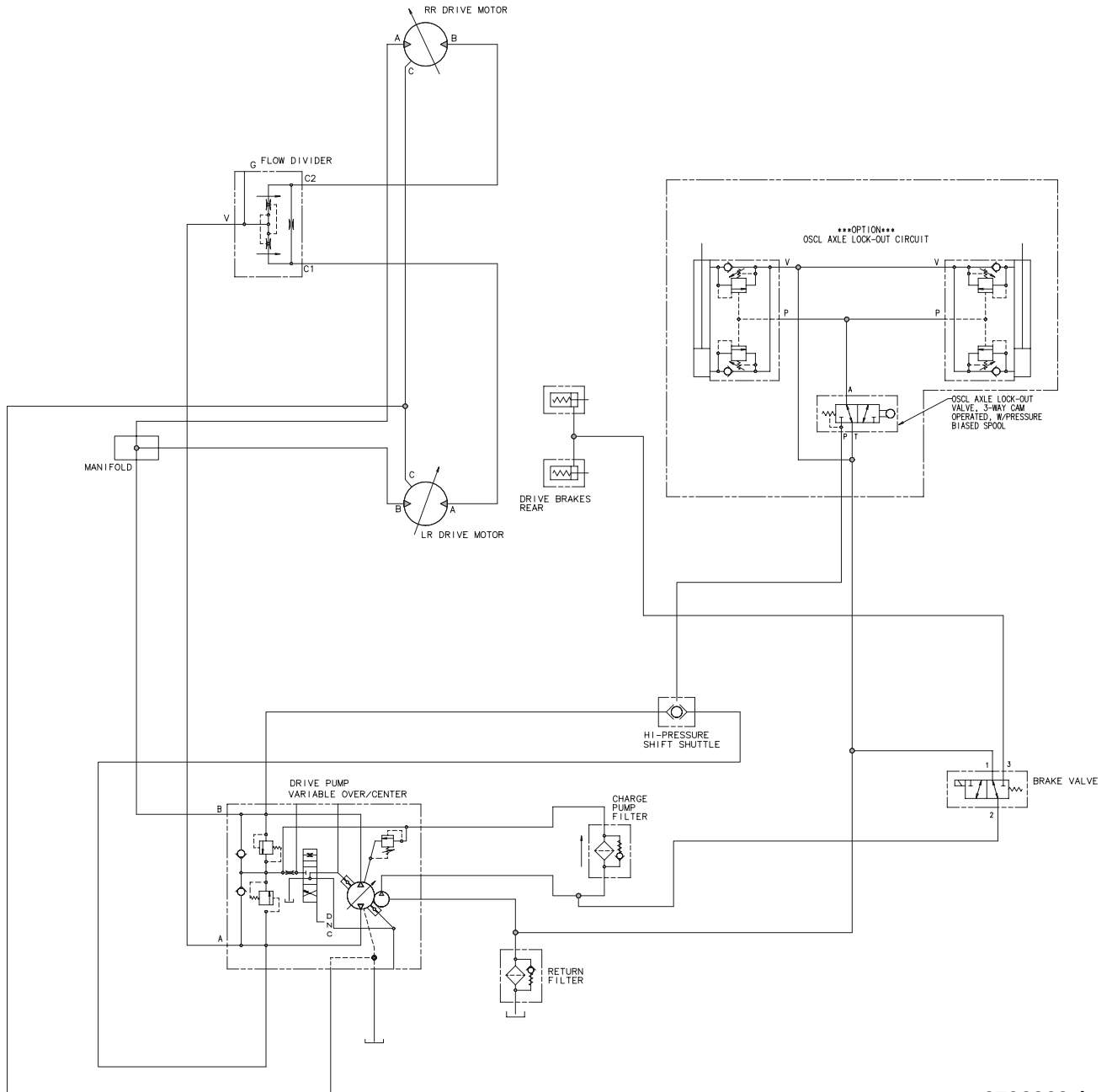
Figure 3-1. Hydraulic Schematic - Sheet 1 of 3

**SECTION 3 - TROUBLESHOOTING**



2792368 A

**Figure 3-2. Hydraulic Schematic - Sheet 2 of 3**



2792368 A

Figure 3-3. Hydraulic Schematic - Sheet 3 of 3



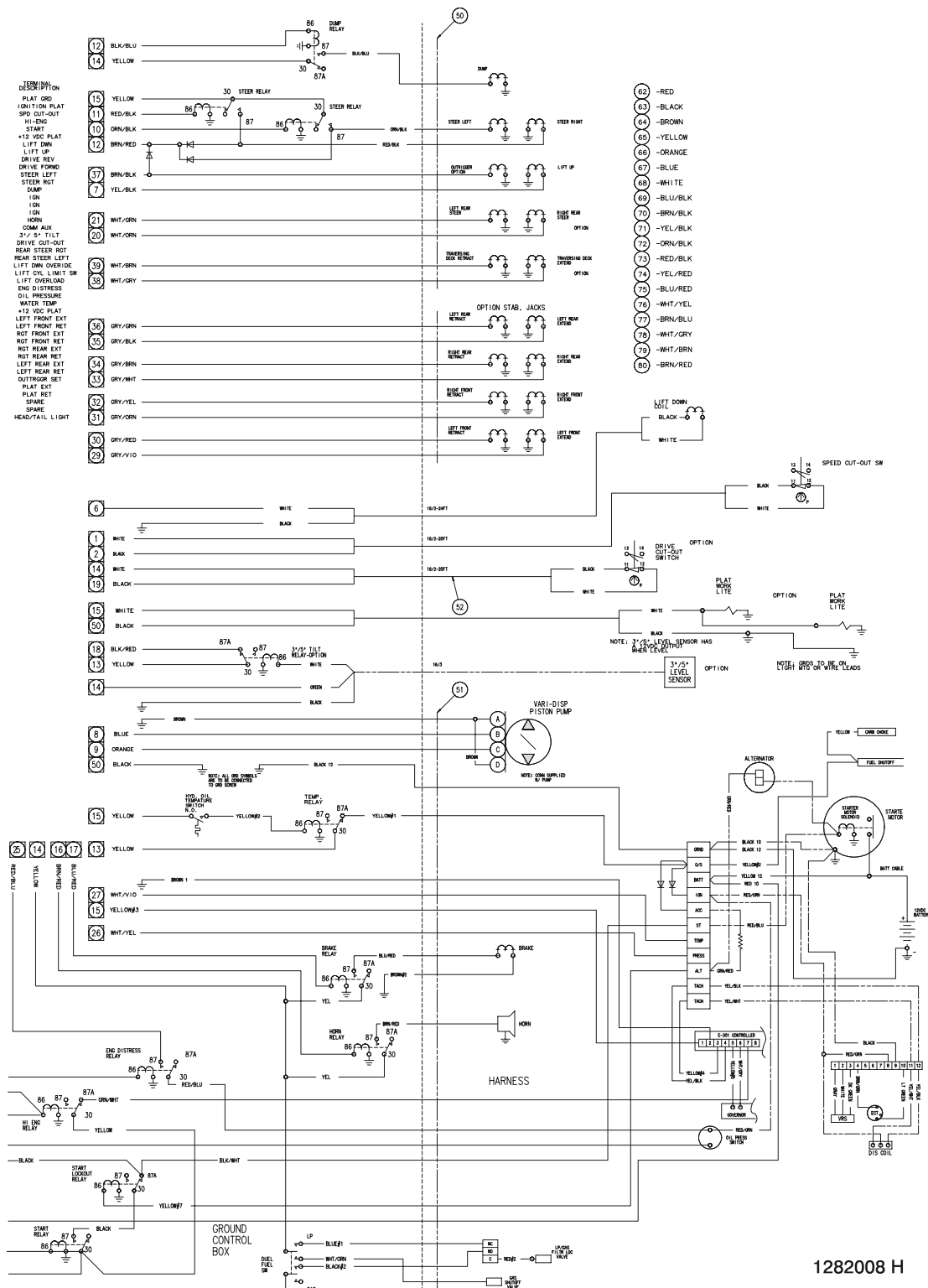


Figure 3-5. Electrical Schematic (Ford) - Sheet 2 of 2





**This page intentionally left blank.**





Corporate Office  
JLG Industries, Inc.  
1 JLG Drive  
McConnellsburg PA. 17233-9533  
USA  
Phone: (717) 485-5161  
Customer Support Toll Free: (877) 554-5438  
Fax: (717) 485-6417

## JLG Worldwide Locations

---

JLG Industries (Australia)  
P.O. Box 5119  
11 Bolwarra Road  
Port Macquarie  
N.S.W. 2444  
Australia  
Phone: (61) 2 65 811111  
Fax: (61) 2 65 810122

JLG Industries (UK)  
Unit 12, Southside  
Bredbury Park Industrial Estate  
Bredbury  
Stockport  
SK6 2sP  
England  
Phone: (44) 870 200 7700  
Fax: (44) 870 200 7711

JLG Deutschland GmbH  
Max Planck Strasse 21  
D-27721 Ritterhude/lhlpohl  
Bei Bremen  
Germany  
Phone: (49) 421 693 500  
Fax: (49) 421 693 5035

JLG Industries (Italia)  
Via Po. 22  
20010 Pregnana Milanese - MI  
Italy  
Phone: (39) 02 9359 5210  
Fax: (39) 02 9359 5845

JLG Latino Americana Ltda.  
Rua Eng. Carlos Stevenson,  
80-Suite 71  
13092-310 Campinas-SP  
Brazil  
Phone: (55) 19 3295 0407  
Fax: (55) 19 3295 1025

JLG Europe B.V.  
Jupiterstraat 234  
2132 HJ Foofddorp  
The Netherlands  
Phone: (31) 23 565 5665  
Fax: (31) 23 557 2493

JLG Industries (Norge AS)  
Sofeimyrveien 12  
N-1412 Sofienyr  
Norway  
Phone: (47) 6682 2000  
Fax: (47) 6682 2001

JLG Polska  
Ul. Krolewska  
00-060 Warszawa  
Poland  
Phone: (48) 91 4320 245  
Fax: (48) 91 4358 200

JLG Industries (Europe)  
Kilmartin Place,  
Tannochside Park  
Uddingston G71 5PH  
Scotland  
Phone: (44) 1 698 811005  
Fax: (44) 1 698 811055

JLG Industries (Pty) Ltd.  
Unit 1, 24 Industrial Complex  
Herman Street  
Meadowdale  
Germiston  
South Africa  
Phone: (27) 11 453 1334  
Fax: (27) 11 453 1342

Plataformas Elevadoras  
JLG Iberica, S.L.  
Trapadella, 2  
P.I. Castellbisbal Sur  
08755Castellbisbal  
Spain  
Phone: (34) 93 77 24700  
Fax: (34) 93 77 11762

JLG Industries (Sweden)  
Enkopingsvagen 150  
Box 704  
SE - 175 27 Jarfalla  
Sweden  
Phone: (46) 8 506 59500  
Fax: (46) 8 506 59534

---